

**9020**  
10.19

# SFA

## SANIFOS®

**SANIFOS® 1600**

**SANIFOS® 2100**

**SANIFOS® 3100**

- UK** **Packaged Pumping Station**  
Operating instructions
- DE** **Fertig-Pumpstation**  
Betriebsanleitung
- FR** **Station de pompage préfabriquée**  
Mode d'emploi
- IT** **Stazione di pompaggio pronta all'uso**  
Istruzioni per l'uso
- NL** **Geprefabriceerd pompstation**  
Gebruikshandleiding
- ES** **Estación prefabricada de bombeo**  
Manual de instrucciones
- PT** **Estação do bombagem**  
Manual de instruções



<b>English</b> .....	<b>4</b>
<b>Deutsch</b> .....	<b>14</b>
<b>Français</b> .....	<b>25</b>
<b>Italiano</b> .....	<b>36</b>
<b>Nederlands</b> .....	<b>48</b>
<b>Español</b> .....	<b>59</b>
<b>Português</b> .....	<b>69</b>

# CONTENTS

<b>1. SAFETY</b> .....	<b>pg.4</b>
1.1 Labelling of notes in the operating instructions .....	pg.4
1.2 Qualification and training of staff .....	pg.5
1.3 Hazards caused by non-observation of safety instructions .	pg.5
1.4 Safety-conscious work.....	pg.5
1.5 Safety instructions for user / operator .....	pg.5
1.6 Safety instructions for maintenance, inspection and installation work .	pg.5
1.7 Unauthorised modification and spare parts production .	pg.5
1.8 Impermissible operating modes .....	pg.6
<b>2. GENERAL ASPECTS</b> .....	<b>pg.6</b>
2.1 Affiliation .....	pg.6
2.2 Inquiries and purchase orders .....	pg.6
2.3 Technical data .....	pg.6
2.4 Field of application .....	pg.7
2.5 Scope of delivery .....	pg.7
<b>3. TRANSPORT AND INTERMEDIATE WAREHOUSING</b> .....	<b>pg.7</b>
3.1 Transport.....	pg.7
3.2 Intermediate warehousing / conservation .....	pg.7
<b>4. DESCRIPTION</b> .....	<b>pg.8</b>
4.1 General aspects.....	pg.8
4.2 Design and functionality.....	pg.8
<b>5. INSTALLATION</b> .....	<b>pg.8</b>
5.1 Producing the excavation pit.....	pg.8
5.2 Inserting the shaft .....	pg.8
5.3 Connecting the shaft.....	pg.8
5.4 Filling the shaft .....	pg.9
<b>6. COMMISSIONING</b> .....	<b>pg.10</b>
<b>7. MAINTENANCE / SERVICING</b> .....	<b>pg.10</b>
<b>8. MALFUNCTIONS ; CAUSES AND TROUBLESHOOTING</b> .....	<b>pg.10</b>
<b>9. WARRANTY</b> .....	<b>pg.10</b>
<b>10. TECHNICAL CHANGES</b> .....	<b>pg.11</b>
Annex: A Main dimensions .....	pg.12
Annex: B Installation proposal for the shaft cover, class D..	pg.13

# 1. SAFETY

## WARNING

This device can be used by children who are at least 8 years old and by people with reduced physical, sensory or mental capacities or those without knowledge or experience, if they are properly supervised or if they have been given instructions on safely using the device and the associated risks have been understood. Children should not play with the device. Children should not clean or perform maintenance on the device without supervision.

## ELECTRICAL CONNECTIONS:

The electrical installation must be done by a qualified electrical engineer. The device's power supply must be connected to ground (class I) and protected by a high sensitivity differential circuit breaker (30 mA). Devices without plugs must be connected to a main switch on the power supply which disconnects all poles (contact separation distance of at least 3 mm). The connection must be used exclusively to provide the power to the product.

If the power cord is damaged, to prevent possible danger, it must be replaced by the manufacturer, customer service team or a similarly qualified individual.

These operating instructions contain basic instructions which have to be observed during set-up, operation and maintenance. For this reason, these operating instructions must by all means be read before installation and commissioning by the installation technician as well as by the competent specialist staff / user, and must be permanently available at the location of the device.

Not only the general safety instructions mentioned in this main point on safety have to be observed, but also the special safety instructions mentioned in the other main points, for example for private use.

### 1.1 Labelling of notes in the operating instructions



#### **Danger**

This term defines a high risk of danger, which can lead to death or serious injury, if not avoided.



#### **Warning**

This term defines a hazard which could cause a risk to the machine and its operation, if it is not taken into account



#### **Dangerous area**

This symbol characterises hazards that could lead to death or injury.



#### **Dangerous voltage**

This symbol characterises dangers associated with the voltage and provides information on voltage protection.



#### **Property damage**

This symbol, in combination with the keyword **ATTENTION**, characterises dangers to the machine and its proper operation.

Instructions attached directly to the machine, such as rotation arrow, marks for fluid connections, must be definitely observed and kept in fully legible condition.

## **1.2 Qualification and training of staff**

The staff for operation, maintenance, inspection and installation must have the corresponding qualification for this work. For this reason, the area of responsibility, the competency and the supervision of the staff has to be precisely defined by the company. If the staff do not have the necessary knowledge, they must be trained and instructed. If and when necessary, this may be carried out by the manufacturer/supplier of the pump on behalf of the pump operator. Moreover, the operator has to ensure that the content of the operating instructions is understood completely by the staff.

## **1.3 Hazards caused by non-observation of safety instructions**

The non-observation of the safety instructions may endanger persons as well as the environment, and may have consequences for the environment and machine. The non-observation of the safety instructions will result in the loss of all claims for damages.

In detail, the non-observation may cause the following hazards, for example:

- Malfunction of important functions of the machine/system
- Malfunction of the mandatory methods of maintenance and repair
- Danger to persons caused by electrical, mechanical and chemical effects
- Danger to the environment caused by leakage of dangerous substances

## **1.4 Safety-conscious work**

The safety instructions mentioned in these operating instructions, the existing national regulations on accident prevention as well as potential in-company work, operating and safety instructions of the user must be observed.

## **1.5 Safety instructions for user/operator**

- Hot or cold machine parts could becoming a hazard, these parts have to be protected against the handling of the user.
- Touch protection for moving parts (e.g. coupling) must not be removed from the machine being in operation.
- Leakage (of the tank seal, for example) of hazardous material conveyed (e.g. explosive, toxic, hot) must be removed in such a way that no danger is caused to persons and the environment. Legal regulations have to be observed.
- Hazards caused by electric energy must be excluded (for details here, please refer to the country-specific regulations and the regulations of the local energy supply companies).

## **1.6 Safety instructions for maintenance, inspection and installation work**

The user has to make sure that all maintenance, inspection and installation work is carried out by authorised and qualified specialist personnel only, who have sufficiently been informed by studying the operating instructions.

Basically, work on the machine may be carried out only when the unit is isolated and safe to do so. The procedure to shut down the machine described in the operating instructions must be observed at all times.

Pumps or pump assemblies, which convey media hazardous to health, must be decontaminated. Immediately after completing the work, all safety and protection devices have to be fitted again and/or have to be made functional again.

Before restart, the points listed in the chapter on initial commissioning have to be observed.

## **1.7 Unauthorised modification and spare parts production**

Modifications or changes to the machine shall be permissible only after consultation with the manufacturer. Original spare parts and accessories authorised by the manufacturer serve to ensure

safety. The use of other parts may result in the loss of liability for the consequences that may occur.

### 1.8 Impermissible operating modes

The operational safety of the machine supplied is ensured only when used as intended according to Section 2 - *General aspects* of the operating instructions. The threshold values indicated in the data sheet must by no means be exceeded.

## 2. GENERAL ASPECTS

### 2.1 Affiliation

These operating instructions are valid for the packaged pumping station SANIFOS® 1600, 2100, 3100.

**In case of non-observation to the operating instructions - in particular the safety instructions - as well as unauthorised modification of the device or the installation of non-original spare parts the warranty claims will automatically become void. The manufacturer assumes no liability for any damage resulting from this!**

#### Construction sizes:

SANIFOS® - shaft installations for single or double system

Pumps with a pressure outlet of 2" and a performance of up to approx. 4 kW can be used.

### 2.2 Inquiries and purchase orders

Please send your inquiries and orders to your specialist dealer.

### 2.3 Technical data

<b>Clear width</b>	1000 mm
<b>Maximum outer diameter approximately</b>	1100 mm

#### Shaft heights

	<b>Height of the basic body</b>	<b>Height with top piece and BEGU cover Class A</b>	<b>Height with top piece and BEGU cover Class B</b>	<b>Height with top piece and BEGU cover Class D</b>
H2	1600	1730-1960	1775-2005	1810-2040
H3	2100	2230-2460	2275-2505	2310-2540
H5	3100	3230-3460	3275-3505	3310-3540

#### Specifications

Opening of the shaft cover	Ø 625 mm
Weight	60 kg - 90 kg (without mounting parts)
Inlet	suitable for PVC DN 150
Inlet depth	675 mm (axis of pipe) from lower edge of shaft bottom
Pressure connection	PE HD DN 50 Øext.= 63 mm
Pressure connection depth	675 mm (axis of pipe) from lower edge of shaft bottom

Specifications	
Storage volume	approx 400 l
Switching volume	at least 150 l
Ventilation / cable conduit	2 x PVC DN 100
Depth of connection	1175 mm (axis of pipe) from lower edge of shaft bottom
Maximum media temperature	60 °C

**The shaft is protected against buoyancy up to a groundwater level of 0.5 from the lower edge of the shaft!**

## Materials

<b>Shaft</b>	PE
<b>Coupling system</b>	Cast iron GG 20
<b>Shut-off valve</b>	Brass
<b>Pressure line</b>	PE, stainless steel
<b>Check valve</b>	GG 25

## 2.4 Field of application

The pumping stations of the series SANIFOS® serve to dispose of (collecting and conveying) domestic and industrial grey water and black water, which occur below the sewer backwater level. They are intended to be installed externally.

## 2.5 Scope of delivery

The packaged pumping station SANIFOS® basis is delivered complete with:

- boltless coupling system
- shut-off valve DN 50
- check valve DN 50
- complete pressure line with screw connections
- flushing connection prepared, closed with blind cap
- submersible motor pump(s)\* DN 50 (see separate operating instructions)
- pneumatic level control/float switch\* (see separate operating instructions)
- variable top piece with lip seal
- BEGU shaft cover\*, Class A (walkable), B or D.

\*optionally available

# 3. TRANSPORT AND INTERMEDIATE WAREHOUSING

## 3.1 Transport

The packaged pumping stations from the series SANIFOS® must not be thrown or dropped. Moreover, they shall be kept upright during transportation (except SANIFOS® 3100).

## 3.2 Intermediate warehousing / conservation

For intermediate warehousing and conservation, it is sufficient to store the system at a cool, dark, dry and frost-proof place. The system should be kept in an upright position.

## 4. DESCRIPTION

### 4.1 General aspects

The pumping station is completely assembled so that the pump has to be installed and the connections (inlet, pressure line, venting line, level control and power supply) be established only.

### 4.2 Design and functionality

On the shaft floor, a coupling system is mounted, to which the boltless pump is engaged. A guide pipe, which is attached to a crossbeam in the shaft neck, to guide the pump when being hung up is available. Engaged by means of a mounted chain, the pump can be lifted out of the tank without loosening screw connections in the shaft. Depending on the size of the pump, a lifting gear might be necessary to lift it out. After a long operating time, the pump could attach itself to the coupling base. To loosen the pump, the chain has to be gently pulled and the chain be shaken until the pump gets loose from the coupling base. Subsequently, the pump can be carefully pulled out. Too high tensile forces on the chain have to be avoided in order to prevent damage of the plastic tank. This way, maintenance and repair work on the pump is possible outside the tank. In order to prevent backflow of the water column being in the pressure line at the ball check valve during maintenance and repairing work, a shut-off valve is mounted before the check valve in the pressure line.

## 5. INSTALLATION

### 5.1 Producing the excavation pit

The excavation pit must be created with due regard to the regulations of the civil engineering (slope angle, possibly shoring up the tank etc.).

### 5.2 Inserting the shaft

Before inserting the tank, the excavation pit has to be backfilled with approx. 30 cm of crushed rock and condensed with 5 cm grit so that a horizontal supporting surface comes into being. Then, the PE tank has to be inserted into the excavation pit and aligned. Now fill up approx. 30 cm filling sand and condense.



### WARNING



Check if the tank still stands level.

### 5.3 Connecting the shaft

#### Inlet

An inlet sleeve DN 150 with lip seal is available in the tank. The inlet line (pipe DN 150) is plugged approx. 1 cm into the inlet sleeve. Beforehand, a lubricant or grease has to be applied on the inside of the seal. The max. deviation of the axis of the inlet must not exceed 3°. Further inlets are possible as an option.

#### Pressure line

The pressure pipe line ends approx. 180 mm outside the tank with a pipe socket PE HD 63x5.8. PE HD pipe 63x5.8 should be installed as pressure line. Connection to the pipe socket which is available at the tank can take place by means of a commercial compression fitting, for example.

#### Ventilation / cable routing

2 sleeves with lip seal DN 100 are available for ventilation / cable entry. The ventilation pipe



(pipe DN 100) is inserted into the sleeve (see inlet). To avoid any bad odour, we recommend to guide the venting line over the roof. The cable empty pipe (pipe DN 100) is inserted into the other sleeve and guided further up to the switchgear. The pipe has to be closed at the outlet in the control cabinet or building (e.g. by a blind cover with cable glands). If a pipe connection is required, so it has to be closed using a commercial blind cover.

### Electrical connection

The pump cable and the pneumatic hose/ float switch cables are guided in the cable empty pipe toward the switchgear.

The operating instructions of the pump and the circuit diagram apply for the electrical connection.

#### ATTENTION



**The shut-down point and the run-on time have to be adjusted in such a way that the pumping process is completed prior to the pump housing emerging, but the pitot tube has already completely emerged. The pneumatic hose has to be guided rising steadily and without loops to the switchgear. The maximum length should not exceed 20 m.**

### 5.4 Filling the excavation pit

Prior to filling the excavation pit, the lip seal for the top piece has to be inserted into the tank and the top piece be inserted and adjusted using the BEGU tank cover of the ground elevation

#### ATTENTION



**Please note that the pressure test of the pressure line must not be carried out against the shut-off valve. When all lines have been connected and checked for tightness, the excavation pit can be filled.**

To fill the excavation pit, filling sand or gravelly sand has to be used in conformity with the civil engineering/relevant regulations.

#### WARNING



**Use gravelly sand only up to a grain size of 32 mm, provided that the excavation ground does not correspond to the particle size group 0 to max. 32 mm. Cohesive soil, rubble, rock and sharp-edged grain must not be used!**

The filling material has to be introduced in layer thicknesses of max. 30 cm and be equally condensed. In the event of a lowering of groundwater level of the excavation pit, condensation of the filling material can take place by covering with mud and by adding water with simultaneous operation of the draw-down device.

#### WARNING



**Use friable filling material!**

To ensure buoyance safety with the soil type of clay, the tank must be filled with sand, clay or concrete from outside. In order to exclude deformation of the PE tank, high filling from one side must be avoided by all means.

Only after final completion of the tank, including filling and condensing the excavation pit, the potentially used water table drawdown system may be switched off.

**The protruding piece of the top piece has to be well back-filled and condensed.** In order to ensure safe function of the system, it is necessary that the tank is levelled after filling.

**Absolutely observe the notes in the plant when using a Class D shaft cover.**

## **6. COMMISSIONING**

Before commissioning, all connections must be checked again for correct installation and tightness. The shut-off valve must be open.

To commission the pump, please read the separate operating instructions of the pump as well as the switchgear.

## **7. MAINTENANCE / SERVICING**

 **DANGER**



**Prior to carrying out any work on the system, it has to be disconnected from the mains supply!**

Maintenance includes regular visual inspection of the complete system. During the process, switching cycles of the pumps are observed and all piping parts and fittings are checked for function and tightness. Please refer to the operating instructions of the pump with regard to the maintenance instructions. After maintenance has been carried out, the maintenance interval indicator of the control can be reset. Maintenance should be carried out only by authorised specialist companies.

## **8. MALFUNCTIONS; CAUSES AND TROUBLESHOOTING**



**Prior to carrying out any work on the system, it has to be disconnected from the mains supply!!**

 **DANGER**

In the event of malfunctions of the pump, please refer to its operating instructions. In case of leaks of the piping or failure of the fittings, the relevant parts should be replaced (exchanged).

## **9. WARRANTY**

As manufacturer, we provide for this product a warranty of 24 months from the date of purchase providing it has been correctly installed as per operating installation instructions. The sales receipt is considered proof regarding the warranty. Within this warranty period, we will at our discretion, either by means of repair or replacement, correct free of charge all defects

due to material or manufacturing defects of the pump.

The warranty excludes all damage attributable to improper use or wear and tear. We do not assume any liability for consequential damages which occur due to a failure of the device.

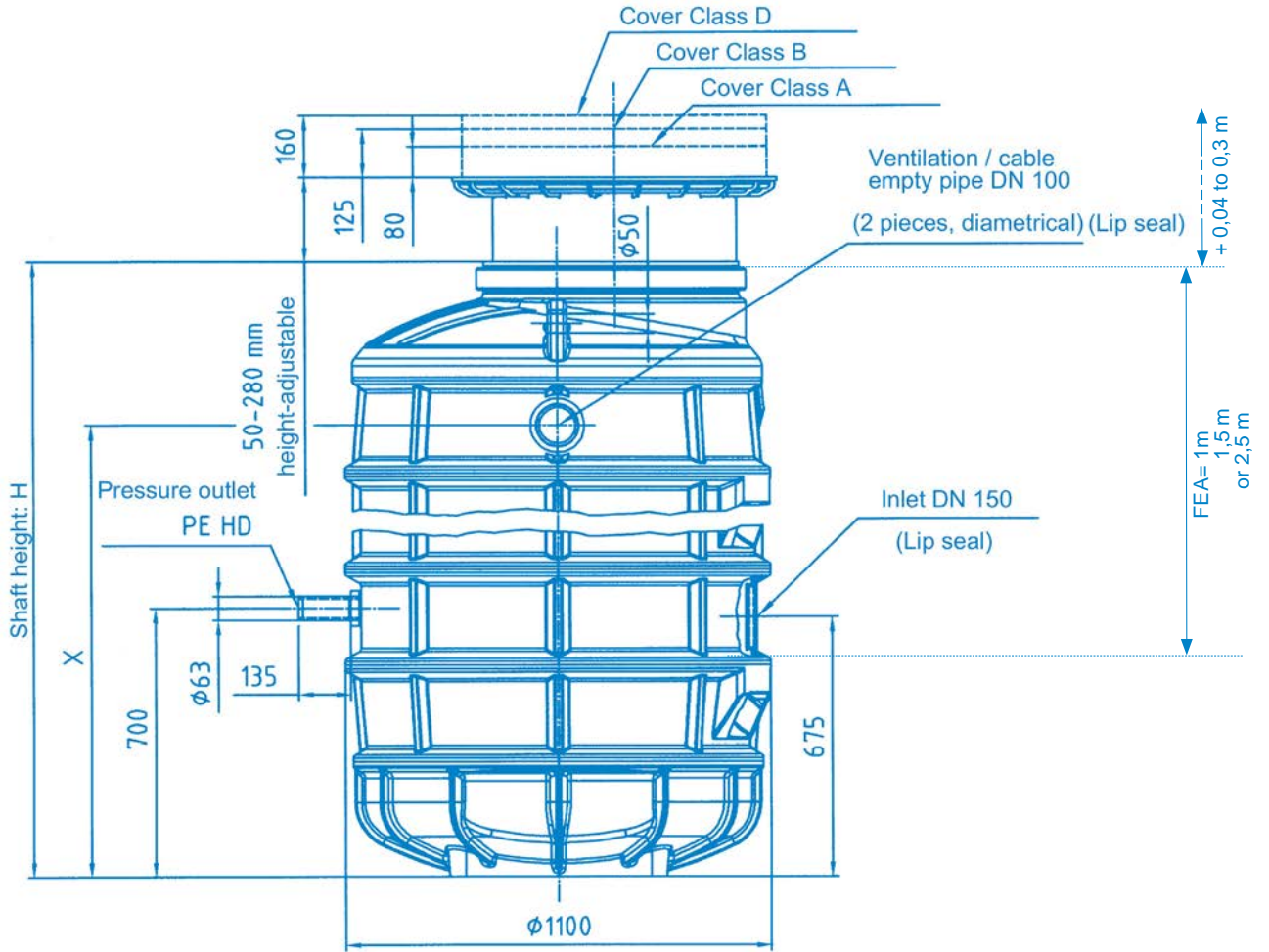
In case of guarantee, please get in touch with your specialist dealer.

## **10. TECHNICAL CHANGES**

---

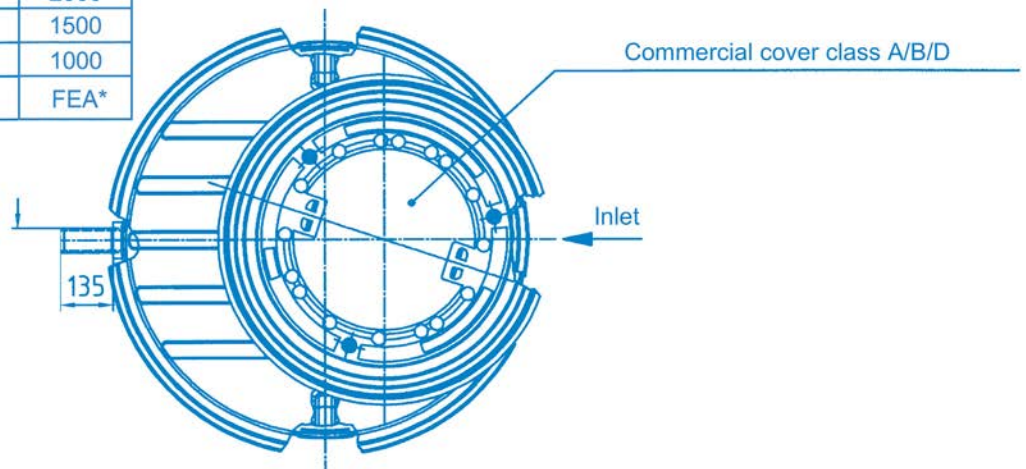
We reserve the right to make technical changes in terms of progress.

# Annex A : Main dimensions



3100	2675	2500
2100	1675	1500
1600	1175	1000
Shaft height: H	X (mm)	FEA*

\* Incoming Water Flow (FEA), without top piece

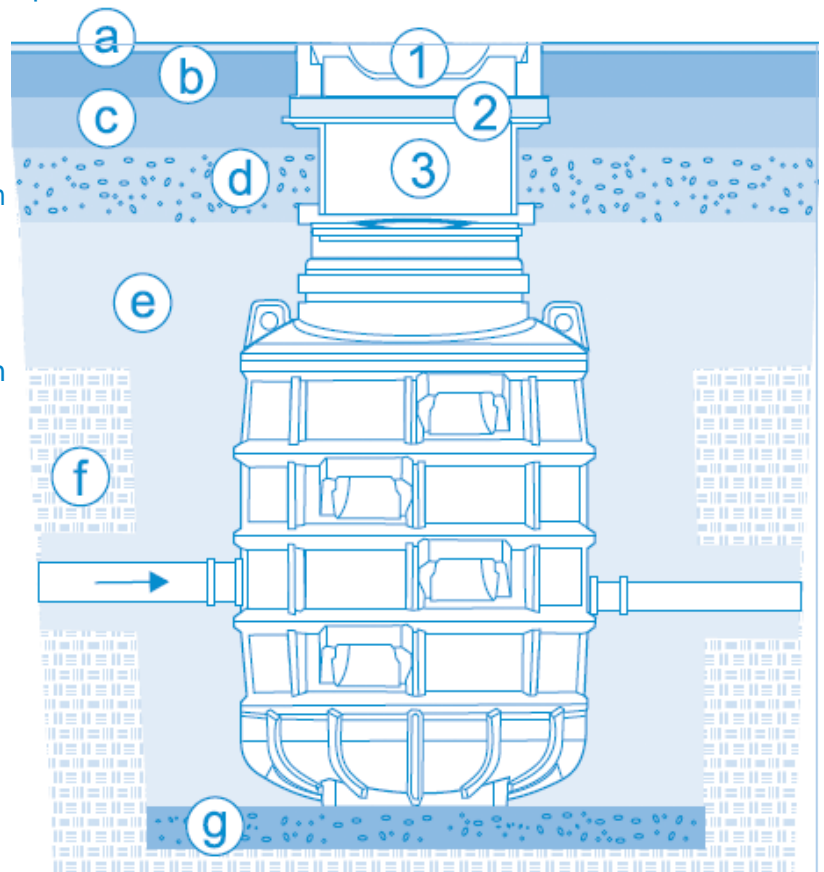


## Annex B : Installation proposal for the shaft cover, class D

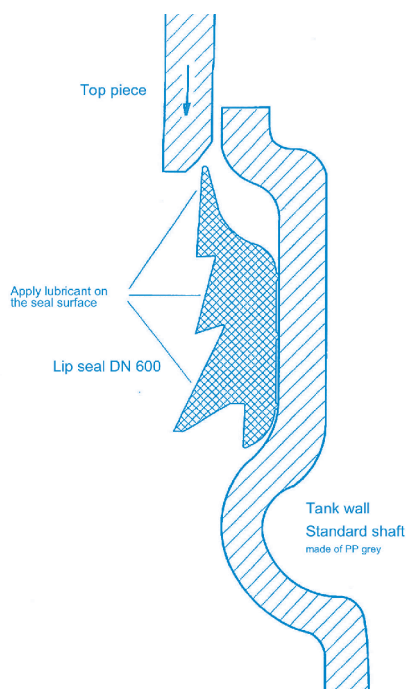
Installation proposal according to standard road structure.

- ①. Commercial BEGU cover - Cover Class D
- ②. Commercial concrete rings for height levelling
- ③. Top piece made of plastic, height adjustable from 40 to max. 300 mm

- Ⓐ Wear layer approx. 3 cm
- Ⓑ Bituminous base layer approx. 8-12 cm
- Ⓒ Clean layer approx. 10 cm
- Ⓓ Crushed rock approx. 20 cm
- Ⓔ Antifreeze gravel approx. 25-30 cm
- Ⓕ Soil
- Ⓖ Grit



### Position of the lip seal for the top piece



#### ATTENTION



**Safety Instructions!**  
Installation, mounting, operation and maintenance may be carried out by a specialist company only.

<b>1. SICHERHEIT</b> .....	<b>S.15</b>
1.1 Kennzeichnung von Hinweisen in der Betriebsanleitung .....	S.16
1.2 Personalqualifikation und Schulung .....	S.16
1.3 Gefahren bei Nichtbeachtung der Sicherheitshinweise .....	S.16
1.4 Sicherheitsbewußtes Arbeiten .....	S.16
1.5 Sicherheitshinweise für den Betreiber / Bediener .....	S.16
1.6 Sicherheitshinweise für Wartungs-, Inspektions- und Montagearbeiten .....	S.17
1.7 Eigenmächtiger Umbau und Ersatzteilherstellung .....	S.17
1.8 Unzulässige Betriebsweisen .....	S.17
<b>2. ALLGEMEINES</b> .....	<b>S.17</b>
2.1 Zugehörigkeit .....	S.17
2.2 Anfragen und Bestellungen .....	S.17
2.3 Technische Daten .....	S.17
2.4 Einsatzbereich .....	S.18
2.5 Lieferumfang .....	S.18
<b>3. TRANSPORT UND ZWISCHENLAGERUNG</b> .....	<b>S.19</b>
3.1 Transport .....	S.19
3.2 Zwischenlagerung/Konservierung .....	S.19
<b>4. BESCHREIBUNG</b> .....	<b>S.19</b>
4.1 Allgemeines .....	S.19
4.2 Aufbau und Arbeitsweise .....	S.19
<b>5. INSTALLATION</b> .....	<b>S.19</b>
5.1 Herstellen der Baugrube .....	S.19
5.2 Einbringen des Schachtes .....	S.19
5.3 Anschließen des Schachtes .....	S.20
5.4 Verfüllen des Schachtes .....	S.20
<b>6. INSTALLATION</b> .....	<b>S.21</b>
<b>7. INBETRIEBNAHME</b> .....	<b>S.21</b>
<b>8. STÖRUNGEN; URSACHEN UND BESEITIGUNG</b> .....	<b>S.22</b>
<b>9. GEWÄHRLEISTUNG</b> .....	<b>S.22</b>
<b>10. TECHNISCHE ÄNDERUNGEN</b> .....	<b>S.22</b>
Anhang: A Hauptabmessungen .....	S.23
Anhang: B Einbauvorschlag für Schachtabdeckung Klasse D ..	S.24

# 1. SICHERHEIT

## **ACHTUNG**

Dieses Gerät darf von Kindern im Alter von mindestens 8 Jahren und von Personen mit eingeschränkten physischen, sensorischen und mentalen Fähigkeiten sowie von Personen ohne Erfahrung und Kenntnisse der Bedienung nur unter der Voraussetzung benutzt werden, dass sie ordnungsgemäß beaufsichtigt werden und in die sichere Bedienung des Geräts eingewiesen wurden und dass sie die möglichen Risiken verstanden haben. Kinder dürfen nicht mit dem Gerät spielen. Die Reinigung und Wartung durch den Nutzer darf nicht von unbeaufsichtigten Kindern durchgeführt werden.

## **STROMANSCHLUSS :**

Die elektrische Montage muss von einem Elektrotechniker realisiert werden. Die Versorgungsleitung des Geräts muss geerdet (Klasse I) und durch einen hochempfindlichen Schutzschalter (30 mA) geschützt sein. Geräte ohne Steckdose müssen an einen Hauptschalter an das Stromnetz angeschlossen werden, der die Trennung aller Pole gewährleistet (mindestens 3 mm Kontaktabstand). Der Anschluss darf ausschließlich der Stromzufuhr des Geräts dienen.

Wenn das Stromkabel beschädigt ist, muss es vom Hersteller, seinem Kundendienst oder ähnlich qualifiziertem Fachpersonal ersetzt werden, um Gefahren zu vermeiden.

Diese Betriebsanleitung enthält grundlegende Hinweise, die bei Aufstellung, Betrieb und Wartung zu beachten sind. Daher ist diese Betriebsanleitung unbedingt vor Montage und Inbetriebnahme vom Monteur sowie dem zuständigen Fachpersonal/Betreiber zu lesen und muß ständig am Einsatzort der Maschine/Anlage verfügbar sein.

Es sind nicht nur die unter diesem Hauptpunkt Sicherheit aufgeführten, allgemeinen Sicherheitshinweise zu beachten, sondern auch die unter anderen Hauptpunkten eingefügten, speziellen Sicherheitshinweise, so z.B. für den privaten Gebrauch.

## 1.1 Kennzeichnung von Hinweisen in der Betriebsanleitung



### Gefahr

Dieser Begriff definiert eine Gefahr mit erhöhtem Risiko, das zum Tod oder schweren Verletzungen führen kann, wenn sie nicht vermieden wird.



### Warnung

Dieser Begriff definiert eine Gefahr, die zu einem Risiko für die Maschine und ihren Betrieb führen kann, wenn sie nicht vermieden wird.



### Gefahrenbereich

Dieses Symbol warnt in Kombination mit einem Schlüsselwort vor Gefahren, die zum Tod oder zu Verletzungen führen können.



### Gefährliche elektrische Spannung

Dieses Symbol warnt in Kombination mit einem Schlüsselwort vor Gefahren der elektrischen Spannung und informiert über den Schutz vor elektrischer Spannung.



### Sachschäden

Dieses Symbol warnt in Kombination mit dem Schlüsselwort ACHTUNG vor Gefahren für die Maschine.

Direkt an der Maschine angebrachte Hinweise wie z.B. drehrichtungspfeil, kennzeichen der Fluidanschlüsse müssen unbedingt beachtet und in vollständig lesbarem Zustand gehalten werden.

## 1.2 Personalqualifikation und Schulung

Das Personal für Bedienung, Wartung, Inspektion und Montage muß die entsprechende Qualifikation für diese Arbeiten aufweisen. Verantwortungsbereich, Zuständigkeit und die Überwachung des Personals müssen durch den Betreiber genau geregelt sein. Liegen bei dem Personal nicht die notwendigen Kenntnisse vor, so ist dieses zu schulen und zu unterweisen. Dies kann, falls erforderlich, im Auftrag des Betreibers der Maschine durch den Hersteller/Lieferer erfolgen. Weiterhin ist durch den Betreiber sicherzustellen, daß der Inhalt der Betriebsanleitung durch das Personal voll verstanden wird.

## 1.3 Gefahren bei Nichtbeachtung der Sicherheitshinweise

Die Nichtbeachtung der Sicherheitshinweise kann sowohl eine Gefährdung für Personen als auch für Umwelt und Maschine zur Folge haben. Die Nichtbeachtung der Sicherheitshinweise kann zum Verlust jeglicher Schadensersatzansprüche führen.

Im Einzelnen kann Nichtbeachtung beispielsweise folgende Gefährdungen nach sich ziehen:

- Versagen wichtiger Funktionen der Maschine/Anlage
- Versagen vorgeschriebener Methoden zur Wartung und Instandhaltung
- Gefährdung von Personen durch elektrische, mechanische und chemische Einwirkungen
- Gefährdung der Umwelt durch Leckage von gefährlichen Stoffen

## 1.4 Sicherheitsbewußtes Arbeiten

Die in dieser Betriebsanleitung aufgeführten Sicherheitshinweise, die bestehenden nationalen Vorschriften zur Unfallverhütung sowie eventuelle interne Arbeits-, Betriebs- und Sicherheitsvorschriften des Betreibers sind zu beachten.

## 1.5 Sicherheitshinweise für den Betreiber/Bediener

- Führen heiße oder kalte Maschinenteile zu Gefahren, müssen diese Teile bauseitig gegen Berührung gesichert sein.
- Berührungsschutz für sich bewegende Teile (z.B. Kupplung) darf bei sich in Betrieb befindlicher



Maschine nicht entfernt werden.

- Leckagen (z.B. der Wellendichtung) gefährlicher Fördergüter (z.B. explosiv, giftig, heiß) müssen so abgeführt werden, daß keine Gefährdung für Personen und Umwelt entsteht. Gesetzliche Bestimmungen sind einzuhalten.
- Gefährdungen durch elektrische Energie sind auszuschließen (Einzelheiten hierzu siehe z.B. in den Vorschriften des VDE und der örtlichen Energieversorgungsunternehmen).

## **1.6 Sicherheitshinweise für Wartungs-, Inspektions- und Montagearbeiten**

Der Betreiber hat dafür zu sorgen, daß alle Wartungs-, Inspektions- und Montagearbeiten von autorisiertem und qualifiziertem Fachpersonal ausgeführt werden, das sich durch eingehendes Studium der Betriebsanleitung ausreichend informiert hat.

Grundsätzlich sind Arbeiten an der Maschine nur im Stillstand durchzuführen. Die in der Betriebsanleitung beschriebene Vorgehensweise zum Stillsetzen der Maschine muß unbedingt eingehalten werden.

Pumpen oder Pumpenaggregate, die gesundheitsgefährdende Medien fördern, müssen dekontaminiert werden. Unmittelbar nach Abschluß der Arbeiten müssen alle Sicherheits- und Schutzeinrichtungen wieder angebracht bzw. in Funktion gesetzt werden.

Vor der (Wieder)inbetriebnahme sind die im Abschnitt Inbetriebnahme aufgeführten Punkte zu beachten.

## **1.7 Eigenmächtiger Umbau und Ersatzteilherstellung**

Umbau oder Veränderungen der Maschine sind nur nach Absprache mit dem Hersteller zulässig. Originalersatzteile und vom Hersteller autorisiertes Zubehör dienen der Sicherheit. Die Verwendung anderer Teile kann die Haftung für die daraus entstehenden Folgen aufheben.

## **1.8 Unzulässige Betriebsweisen**

Die Betriebssicherheit der gelieferten Maschine ist nur bei bestimmungsmäßiger Verwendung entsprechend Abschnitt 2 - *Allgemeines* der Betriebsanleitung gewährleistet. Die im Datenblatt angegebenen Grenzwerte dürfen auf keinen Fall überschritten werden.

# **2. ALLGEMEINES**

## **2.1 Zugehörigkeit**

Diese Betriebsanleitung ist gültig für die Fertigpumpstation SANIFOS®

**Bei Nichtbeachtung der Betriebsanleitung - insbesondere der Sicherheitshinweise - sowie beim eigenmächtigen Umbau des Geräts oder dem Einbau von Nicht-Originalersatzteilen erlischt automatisch der Garantieanspruch. Für hieraus resultierende Schäden übernimmt der Hersteller keine Haftung !**

### **Baugrößen:**

SANIFOS® mit Schachteinbauten für Einzelanlage oder Doppelanlage

Es sind Pumpen mit einem Druckabgang von 2" und einer Leistung bis ca. 4 kW einsetzbar.

## **2.2 Anfragen und Bestellungen**

Anfragen und Bestellungen richten Sie bitte an Ihren Fachhändler.

## **2.3 Technische Daten**

<b>Lichte Weite</b>	1000 mm
<b>Außendurchmesser ca.</b>	1100 mm

## Schachthöhen

	Höhe Grundkörper	Höhe mit Aufsatzstück und BEGU-Abdeckung Klasse A	Höhe mit Aufsatzstück und BEGU-Abdeckung Klasse B	Höhe mit Aufsatzstück und BEGU-Abdeckung Klasse D
H2	1600	1730-1960	1775-2005	1810-2040
H3	2100	2230-2460	2275-2505	2310-2540
H5	3100	3230-3460	3275-3505	3310-3540

Daten	
Öffnung der Schachtabdeckung	Ø 625 mm
Gewicht	60 kg - 90 kg (ohne Einbauteile)
Zulauf	geeignet für PVC-KG DN 150
Zulauftiefe	675 mm (Mitte Rohr) von UK Schachtsohle
Druckanschluß	PE HD DN 50 da= 63 mm
Druckanschlußtiefe	675 mm (Mitte Rohr) von UK Schachtsohle
Stauvolumen	ca. 400 l
Schaltvolumen	mindestens 150 l
Entlüftung/Kabelleerohr	2 x PVC-KG DN 100
Tiefe des Anschlusses	1175 mm (Mitte Rohr) von UK Schachtsohle
Maximale Mediumtemperatur	60 °C

**Der Schacht ist auftriebssicher bis zu einem Grundwasserstand von 0,5 m ab Unterkante Schacht!**

## Werkstoffe

<b>Schacht</b>	PE
<b>Kupplungssystem</b>	Guß Eisen GG 20
<b>Absperrschieber</b>	Messing
<b>Druckleitung</b>	PE
<b>Rückschlagklappe</b>	GG 25

## 2.4 Einsatzbereich

Die Pumpstationen der Baureihe SANIFOS® dienen zur Entsorgung (Sammeln und Fördern) von häuslichen und industriellen Schmutz- und Abwasser, welches unterhalb der Kanalarückstauenebene anfällt. Sie werden außerhalb von Gebäuden eingesetzt.

## 2.5 Lieferumfang

Die Fertigpumpstation SANIFOS® wird komplett geliefert mit:

- schraubenlosem Kupplungssystem
- Absperrschieber DN 50
- Rückschlagklappe DN 50
- kompletter Druckleitung mit Verschraubungen
- Spülanschluss vorbereitet, mit Blindstopfen verschlossen
- Tauchmotorpumpe\* DN 50 (siehe separate Bedienungsanleitung)
- pneumatischer Niveausteuern/Schwimmerschalter\* (siehe separate Bedienungsanleitung)
- Variablem Aufsatzstück mit Lippendichtung
- BEGU - Schachtabdeckung\* Klasse A (begehbar), B oder D.

\* als Option lieferbar

## 3. TRANSPORT UND ZWISCHENLAGERUNG

### 3.1 Transport

Die Fertigpumpstationen der Baureihe SANIFOS® dürfen weder geworfen noch fallengelassen werden.

### 3.2 Zwischenlagerung/Konservierung

Zur Zwischenlagerung und Konservierung genügt das Aufbewahren an einem kühlen, dunklen, trockenen und frostsicheren Ort. Die Anlage sollte senkrecht stehen.

## 4. INBETRIEBNAHME

### 4.1 Allgemeines

Die Pumpstation ist fertig montiert, so daß nur noch die Pumpe eingehangen und die Anschlüsse (Zulauf, Druckrohr, Lüftungsleitung, Niveausteuern und Stromversorgung) hergestellt werden müssen.

### 4.2 Aufbau und Arbeitsweise

Auf dem Schachtboden ist ein Kupplungssystem montiert, an dem die Pumpe schraubenlos eingehangen wird. Zur Führung der Pumpe beim Einhängen ist ein Führungsrohr, welches im Schachthals an einer Traverse befestigt ist, vorhanden. Die Pumpe kann man komplett mit Hilfe einer angebrachten Kette aus dem Schacht herausheben, ohne vorher Schraubverbindungen im Schacht zu lösen. Zum Herausheben, ist je nach Größe der Pumpe, eventuell ein Hebezeug erforderlich. Nach längerer Betriebszeit kann sich die Pumpe am Kupplungsfuß festsaugen. Zum Lösen der Pumpe ist die Kette leicht anzuziehen und an der Kette zu wackeln bis sich die Pumpe vom Kupplungsfuß löst. Dann kann die Pumpe leicht herausgezogen werden. Zu große Zugkräfte an der Kette sind zu vermeiden um eine Beschädigung des Kunststoffschachtes zu vermeiden. So sind Wartungs- oder Reparaturarbeiten an der Pumpe außerhalb des Schachtes möglich. Um bei Wartungs- oder Reparaturarbeiten an dem Kugelrückschlagventil ein Zurückfließen der in der Druckleitung stehenden Wassersäule zu verhindern, ist vor dem Rückschlagventil ein Absperrschieber in der Druckleitung montiert.

## 5. WARTUNG

### 5.1 Herstellen der Baugrube

Die Baugrube muß unter Beachtung der Vorschriften der Berufsgenossenschaft angelegt werden (Böschungswinkel, evtl. Verbau usw.)

### 5.2 Einbringen des Schachtes

Bevor der Schacht eingebracht wird, ist die Baugrube mit ca. 30 cm Schotter und 5 cm Splitt aufzuschütten und zu verdichten, so daß eine waagerechte Auflagefläche entsteht. Anschließend ist der PE-Schacht in die Baugrube einzusetzen und auszurichten. Nun ca. 30 cm Füllsand auffüllen und verdichten.

 **WARNUNG**

 **Überprüfen ob der Schacht noch in Waage ist.**

## 5.3 Anschließen des Schachtes

### Zulauf

Im Schacht ist eine Zulaufmuffe DN 150 mit Lippendichtung vorhanden. In diese wird die Zulaufleitung (KG-Rohr DN 150) ca. 1 cm eingesteckt. Vorher ist Gleitmittel oder Fett auf die Innenseite der Dichtung aufzutragen. Die maximale Abweichung von der Achse des Zulaufes darf 3° nicht überschreiten. Weitere Zuläufe sind als Option möglich.

### Druckleitung

Die Druckrohrleitung endet ca. 180 mm außerhalb des Schachtes mit einem Rohrstopfen PE HD 63x5,8. Als Druckleitung sollte PE HD-Rohr 63x5,8 verlegt werden. Der Anschluß an den am Schacht vorhandenen Rohrstopfen kann z.B. mittels handelsüblicher Klemmverschraubungen erfolgen.

### Entlüftung/Kabelführung

Zur Entlüftung/Kabeleinführung sind 2 Muffen mit Lippendichtung DN 100 vorhanden. Das Belüftungsrohr (KG-Rohr DN 100) wird in die Muffe gesteckt (siehe Zulauf). Um Geruchsbelästigungen zu vermeiden empfehlen wir die Entlüftungsleitung über Dach zu führen. Das Kabelleerrohr (KG-Rohr DN 100) wird in die andere Muffe gesteckt und weiter bis zur Schaltanlage geführt. Das Rohr ist am Austritt im Schaltschrank oder Gebäude (z.B. durch einen Blinddeckel mit Kabelverschraubungen) zu verschließen. Falls ein Rohranschluss nicht benötigt wird, so ist dieser mit einem handelsüblichen Blinddeckel zu verschließen.

### Elektrischer Anschluss

Das Pumpenkabel, und der Pneumatikschlauch/ Schwimmerschalterkabel werden im Kabelleerrohr zur Schaltanlage geführt.

Für den elektrischen Anschluß gelten die Bedienungsanleitung der Pumpe und der Schaltplan der Pumpensteuerung.

#### ACHTUNG



**Der Ausschaltpunkt und die Nachlaufzeit ist so einzustellen, dass der Pumpvorgang vor dem Auftauchen des Pumpengehäuses beendet ist, das Staurohr jedoch bereits vollständig aufgetaucht ist. Der Pneumatikschlauch ist stetig steigend und ohne Schlaufen zur Schaltanlage zu führen. Die max. Länge sollte 20 m nicht überschreiten**

## 5.4 Verfüllen der Baugrube

Vor dem Verfüllen der Baugrube ist die Lippendichtung für das Aufsatzstück in den Schacht einzulegen und das Aufsatzstück einzusetzen und mit der BEGU - Schachtabdeckung der Geländehöhe anzupassen

#### ACHTUNG



**Bitte beachten Sie, daß die Druckprüfung der Druckleitung nach ATV A116 bzw. DIN 4279 Teil 1-9 nicht gegen den geschlossenen Schieber im Pumpenschacht durchgeführt werden darf. Sind alle Leitungen angeschlossen und auf Dichtigkeit geprüft kann die Baugrube verfüllt werden.**

Zum Verfüllen der Baugrube ist Füllsand oder Kiessand den Vorschriften entsprechend zu verwenden.

## **WARNUNG**



**Kiessand nur bis zu einer Korngröße von 32 mm verwenden, soweit der Ausschachtboden nicht der Korngruppe 0- max. 32 mm entspricht. Bindiger Boden, Geröll, Fels und scharfkantige Korne dürfen nicht verwendet werden!**

Das Füllgut ist in Schichtdicken von max. 30 cm einzubringen und gleichmäßig zu verdichten. Bei einer Grundwasserabsenkung der Baugrube kann durch Einschlämmen die Verdichtung des Füllgutes durch Zugabe von Wasser bei gleichzeitigem Betrieb der Absenkungsanlage erfolgen.

## **WARNUNG**



**Nicht bindiges Füllgut verwenden!**

Zur Gewährleistung der Auftriebssicherheit in der Bodenart Klei muß der Schacht von außen mit Sand, Ton oder Beton verfüllt werden. Um ein verformen des PE-Schachtes auszuschließen ist einseitig hohes Verfüllen unbedingt zu vermeiden.

Erst nach endgültiger Fertigstellung des Schachtes, einschließlich dem Verfüllen und Verdichten der Baugrube, darf die eventuell eingesetzte Grundwasserabsenkungsanlage abgeschaltet werden.

**Der überstehende Aufsatz des Aufsatzstückes ist gut zu hinterfüllen und zu verdichten.**

Um einen sichere Funktion der Anlage zu gewährleisten, ist es erforderlich, daß der Schacht nach dem Verfüllen noch in waagerechter Position ausgerichtet ist.

**Bei Verwendung einer Schachtabdeckung Klasse D beachten Sie bitte unbedingt die Hinweise in der Anlage.**

## **6. INBETRIEBNAHME**

Vor der Inbetriebnahme müssen alle Anschlüsse nochmals auf korrekte Montage und Dichtheit überprüft werden, der Absperrschieber muss geöffnet sein.

Zur Inbetriebnahme der Pumpe lesen Sie bitte die gesonderte Bedienungsanleitung der Pumpe sowie der Schaltanlage.

## **7. WARTUNG/INSTANDHALTUNG**

### **GEFAHR**



**Vor allen Arbeiten an der Anlage ist diese vom Netz zu trennen!**

Die Wartung beinhaltet eine regelmäßige Sichtkontrolle der kompletten Anlage. Dabei werden einige Schaltspiele der Pumpe beobachtet und alle Rohrleitungsteile und Armaturen auf Funktion und Dichtheit überprüft. Die Wartungsanweisung der Pumpen entnehmen Sie bitte deren Bedienungsanleitung. Nach erfolgter Wartung kann die Wartungsintervallanzeige der Steuerung zurückgesetzt werden. Die Wartung sollte nur von autorisierten Fachfirmen vorgenommen werden.

## 8. STÖRUNGEN; URSACHEN UND BESEITIGUNG



**Vor allen Arbeiten an der Anlage ist diese vom Netz zu trennen!**

Bei Störungen der Pumpe lesen Sie bitte deren Betriebsanleitung. Bei Undichtigkeiten der Rohrleitungen oder beim Ausfall der Armaturen können die entsprechenden Teile einfach ersetzt werden (Austausch).

## 9. GEWÄHRLEISTUNG

Als Hersteller übernehmen wir für dieses Produkt eine Gewährleistung von 24 Monaten ab Kaufdatum.

Als Nachweis gilt Ihr Kaufbeleg. Innerhalb dieser Gewährleistungszeit beseitigen wir nach unserer Wahl durch Reparatur oder Austausch unentgeltlich alle Mängel, die auf Material- oder Herstellungsfehler zurückzuführen sind.

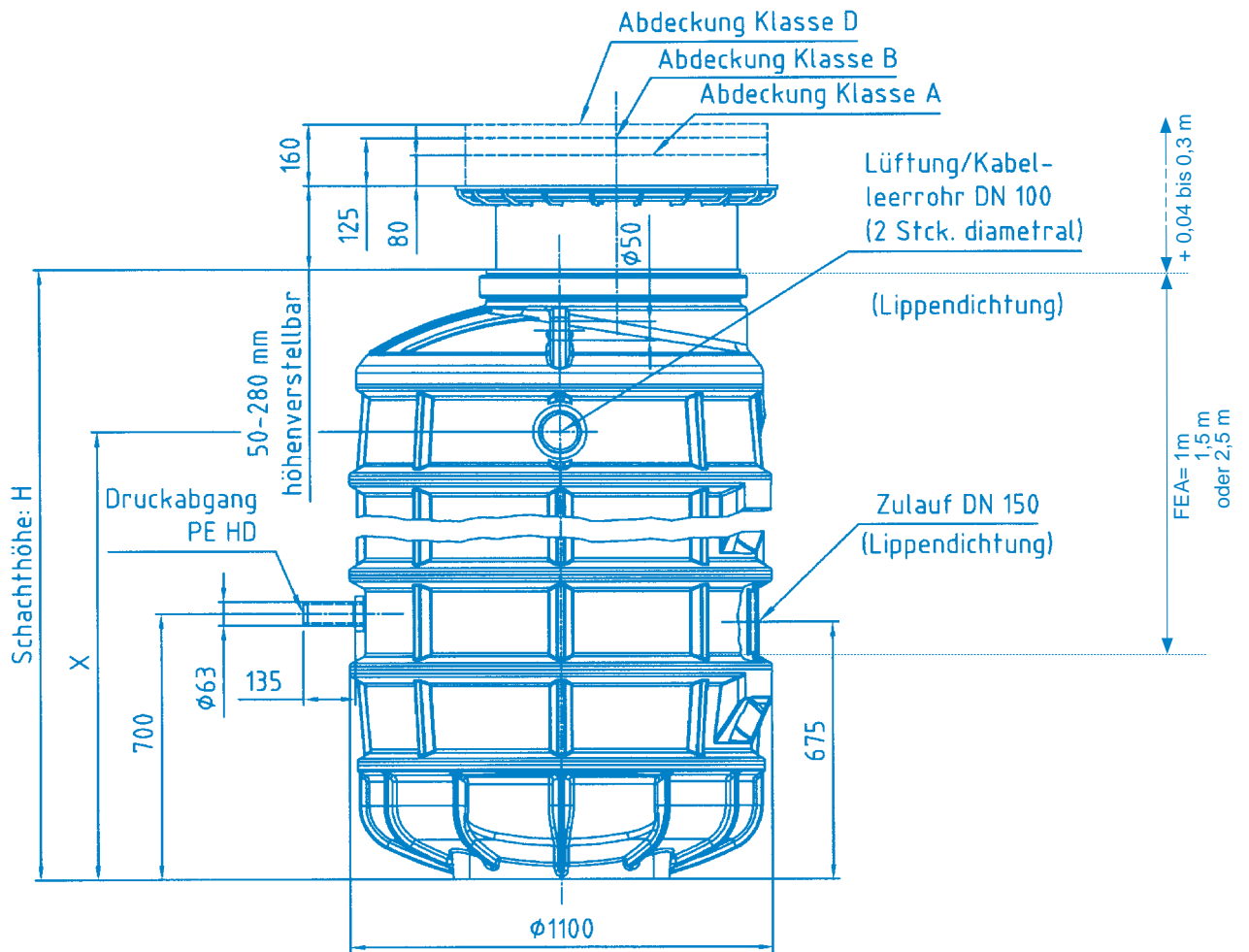
Von der Gewährleistung ausgenommen sind Schäden, die auf unsachgemäßem Gebrauch und Verschleiß zurückzuführen sind. Folgeschäden, die durch Ausfall des Gerätes entstehen, werden von uns nicht übernommen.

Im Gewährleistungsfall wenden Sie sich bitte an Ihren Fachhändler.

## 10. TECHNISCHE ÄNDERUNGEN

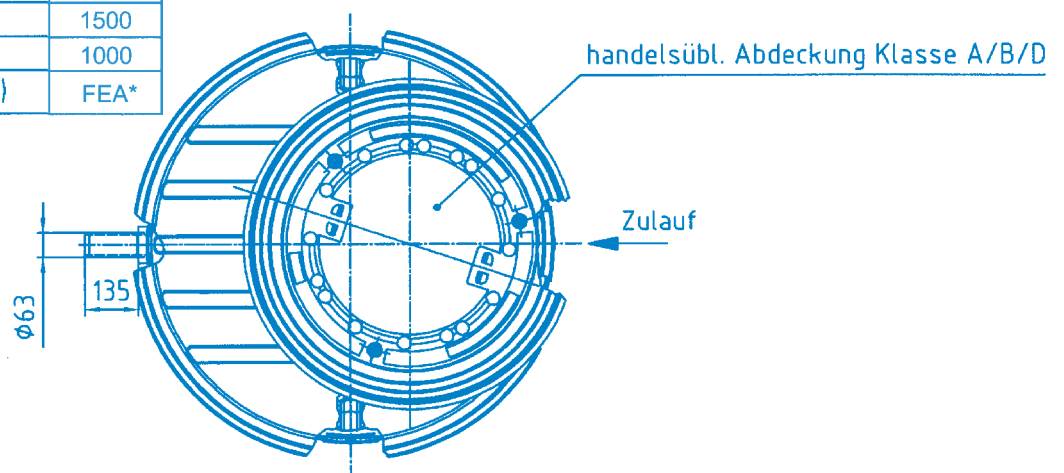
Technische Änderungen im Sinne der Weiterentwicklung vorbehalten wir uns vor.

# Anhang A : Hauptabmessungen



3100	2675	2500
2100	1675	1500
1600	1175	1000
Schachthöhe H	X (mm)	FEA*

\* Wasserzulauf (FEA),  
ohne Aufsatzstück

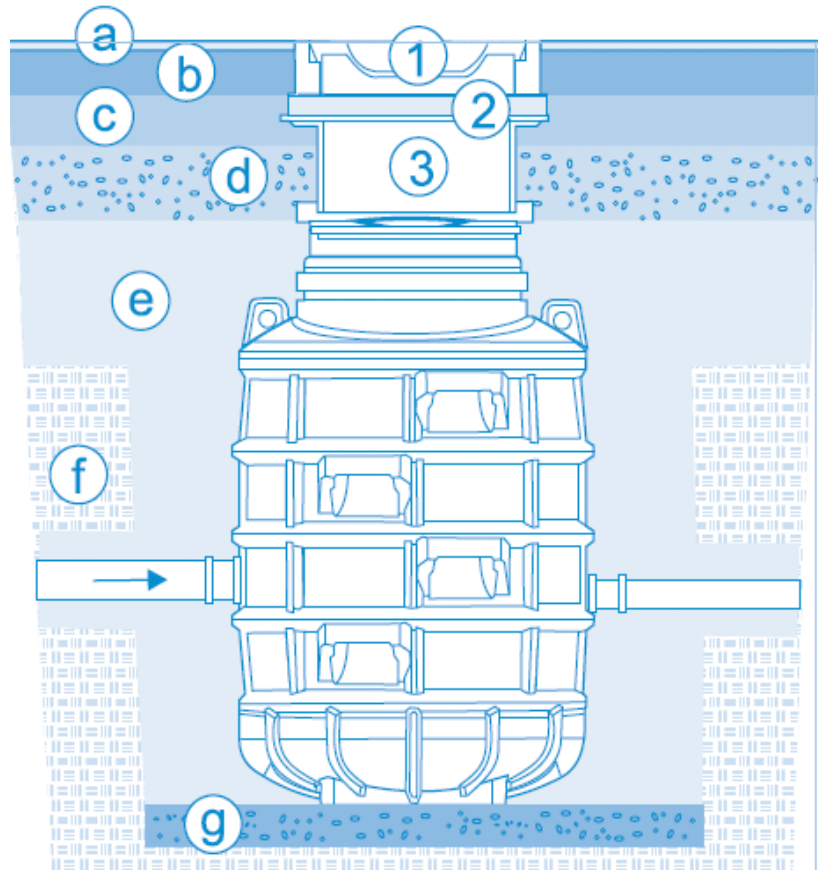


## Anhang B : Einbauvorschlag für Schachtabdeckung Klasse D

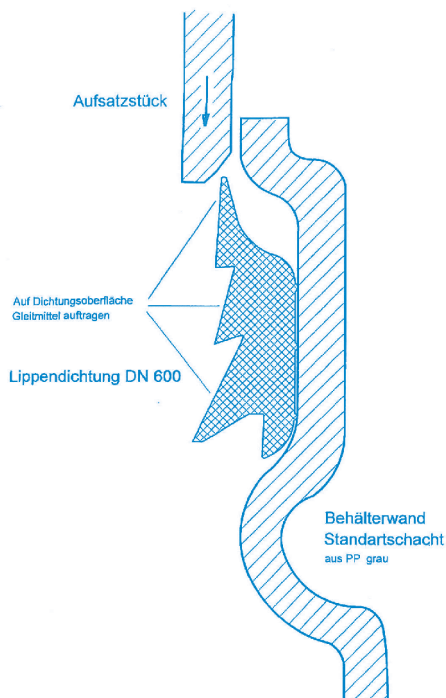
Einbauvorschlag gemäß Standard-Straßenaufbau nach RstO in Verbindung mit den ZTVE-StB und DIN 18196

- ① Handelsübliche BEGU – Abdeckung Klasse D
- ② Handelsübliche Betonringe zum Höhenausgleich
- ③ Aufsatzstück aus Kunststoff, höhenverstellbar von 40 – max. 300 mm

- a Verschleißschicht ca. 3 cm
- b bituminöse Tragschicht ca. 8 - 12 cm
- c Sauberkeitsschicht ca. 10 cm
- d Schotter ca. 20 cm
- e Frostschutzkies ca. 25 - 30 cm
- f Erdreich
- g Splitt



### Lage der Lippendichtung für das Aufsatzstück



### ACHTUNG



**Sicherheitshinweise!**  
 Der Einbau, die Montage, die Bedienung und Wartung dürfen nur durch eine Fachfirma erfolgen. Richtlinien und Sicherheitsregeln sind zu beachten (z.B. VBG 37 und DIN 4124).



<b>1. SÉCURITÉ</b>	<b>p 26</b>
1.1 Identification des avertissements	p 26
1.2 Qualification et formation du personnel	p 27
1.3 Risques en cas de non-respect des consignes de sécurité.	p 27
1.4 Travailler en toute sécurité	p 27
1.5 Consignes de sécurité pour l'exploitant/utilisateur	p 27
1.6 Consignes de sécurité pour les travaux de maintenance d'inspection et de montage	p 27
1.7 Transformation et fabrication arbitraires de pièces de rechange	p 28
1.8 Modes d'exploitation non-autorisés	p 28
<b>2. GÉNÉRAL</b>	<b>p 28</b>
2.1 Appartenance	p 28
2.2 Demandes et réservations	p 28
2.3 Caractéristiques techniques	p 29
2.4 Domaine d'application	p 29
2.5 Contenu de la livraison	p 29
<b>3. TRANSPORT ET ENTREPOSAGE</b>	<b>p 30</b>
3.1 Transport	p 30
3.2 Entreposage/conservation	p 30
<b>4. DESCRIPTION</b>	<b>p 30</b>
4.1 Général	p 30
4.2 Structure et mode de fonctionnement	p 30
<b>5. INSTALLATION</b>	<b>p 30</b>
5.1 Fabrication de l'excavation	p 30
5.2 Chargement du puits	p 31
5.3 Aboutage du puits	p 31
5.4 Remplissage du puits	p 31
<b>6. MISE EN SERVICE</b>	<b>p 32</b>
<b>7. MAINTENANCE/ENTRETIEN</b>	<b>p 33</b>
<b>8. PANNES, CAUSES ET RÉOLUTION</b>	<b>p 33</b>
<b>9. GARANTIE</b>	<b>p 33</b>
<b>10. MODIFICATIONS TECHNIQUES</b>	<b>p 33</b>
Annexe A: Dimensions principales	p 34
Annexe B: Proposition de montage du dispositif de fermeture du puits de classe D	p 35

# 1. SÉCURITÉ

## ATTENTION

Cet appareil peut être utilisé par des enfants âgés d'au moins 8 ans et par des personnes ayant des capacités physiques sensorielles ou mentales réduites ou dénuées d'expérience ou de connaissance, s'ils (si elles) sont correctement surveillé(e)s ou si des instructions relatives à l'utilisation de l'appareil en toute sécurité leur ont été données et si les risques encourus ont été appréhendés. Les enfants ne doivent pas jouer avec l'appareil. Le nettoyage et l'entretien par l'utilisateur ne doivent pas être effectués par des enfants sans surveillance.

## RACCORDEMENT ELECTRIQUE :

L'installation électrique doit être réalisée par un professionnel qualifié en électrotechnique.

Le circuit d'alimentation de l'appareil doit être relié à la terre (classe I) et protégé par un disjoncteur différentiel haute sensibilité (30 mA). Les appareils sans prises doivent être connectés à un interrupteur principal sur l'alimentation électrique qui assure la déconnexion de tous les pôles (distance de séparation des contacts de 3 mm minimum).

Le raccordement doit servir exclusivement à l'alimentation de l'appareil. Si le câble d'alimentation est endommagé, il doit être remplacé par le fabricant, son service après-vente ou des personnes de qualification similaire afin d'éviter un danger.

Le présent mode d'emploi contient des instructions essentielles qui doivent être observées lors de la mise en place, de l'exploitation et de la maintenance. Pour cette raison, il doit impérativement être lu par le monteur avant le montage et la mise en service, ainsi que par le personnel spécialisé/l'exploitant responsable et doit être continuellement disponible sur le lieu d'exploitation de la machine/de l'installation.

Il faut non seulement respecter les consignes de sécurité générales présentées sous ce point général, mais aussi les consignes de sécurité spéciales, présentées sous les autres points principaux, par exemple pour une utilisation privée.

### 1.1 Identification des avertissements



#### Danger

Ce terme définit un danger à risques élevés pouvant conduire au décès ou à une blessure grave, s'il n'est pas évité.



#### Avertissement

Ce terme définit un danger pouvant entraîner un risque pour la machine et son fonctionnement, s'il n'est pas pris en compte.



#### Zone dangereuse

Ce symbole caractérise des dangers pouvant conduire à la mort ou à des blessures.



## Tension électrique dangereuse

Ce symbole caractérise des dangers inhérents à la tension électrique et donne des informations sur la protection contre la tension électrique.

ATTENTION



## Dégâts matériels

Ce symbole caractérise, en combinaison avec le mot-clé **ATTENTION**, des dangers pour la machine.

Les consignes indiquées directement sur la machine, telles que, p. ex. flèche indiquant le sens de rotation, repère de raccords de fluides, doivent impérativement être respectées et maintenues dans des conditions suffisantes à la lecture.

### 1.2 Qualification et formation du personnel

Le personnel chargé de l'exploitation, l'entretien, l'inspection et l'installation doit disposer des qualifications adéquates pour ce travail. Le domaine de responsabilité, la compétence et la surveillance du personnel doivent être précisément réglementées par l'exploitant. Si le personnel ne dispose pas des connaissances nécessaires, il doit alors être formé et instruit. Le cas échéant, cela peut être effectué par le fabricant/fournisseur pour le compte de l'exploitant de la pompe. En outre, l'exploitant doit s'assurer, que le contenu du mode d'emploi est entièrement compris par le personnel.

### 1.3 Risques en cas de non-respect des consignes de sécurité

Le non-respect des consignes de sécurité peut aussi bien avoir pour conséquence la mise en danger des personnes que celle de l'environnement et de la machine. Le non-respect des consignes de sécurité peut conduire à l'annulation de l'ensemble des prétentions de dommages et intérêts.

Plus exactement, le non-respect des consignes peut par exemple entraîner les mises en danger suivantes :

- Dysfonctionnement de fonctions importantes de la machine/installation ;
- Défaillances des méthodes obligatoires pour la maintenance et l'entretien ;
- Mise en danger des personnes due à des actions électriques, mécaniques et chimiques,
- Mise en danger de l'environnement par la fuite de substances dangereuses dans l'environnement.

### 1.4 Travailler en toute sécurité

Outre les consignes de sécurité contenues dans ce mode d'emploi, les réglementations nationales en vigueur sur la prévention des accidents, ainsi que les réglementations de sécurité, de travail et de fonctionnement internes de l'exploitant doivent être respectées.

### 1.5 Consignes de sécurité pour l'exploitant/utilisateur

- Si des pièces chaudes et froides de l'appareil peuvent entraîner des dangers, celles-ci doivent être sécurisées contre tout contact par le client.
- Les protections contre les contacts accidentels avec les pièces mobiles (par exemple: accouplement) ne doivent pas être retirées de la machine en cours de fonctionnement.
- Les fuites (p. ex. du joint d'arbre) de matières à transporter dangereuses (p.ex. explosifs, toxiques, chauds) doivent être évacuées de façon à ne pas mettre en péril les personnes et l'environnement. Les dispositions légales doivent être respectées.
- Les risques dus à l'énergie électrique doivent être exclus (pour plus de détails, se référer aux réglementations du pays et des entreprises locales d'approvisionnement en électricité).

### 1.6 Consignes de sécurité pour les travaux de maintenance, d'inspection et de montage

L'exploitant doit s'assurer que tous les travaux d'entretien, d'inspection et de montage sont effectués

par du personnel qualifié et autorisé, qui a été suffisamment informé par l'étude des instructions de service.

Les interventions sur la machine doivent normalement être effectuées à l'arrêt. La procédure de mise à l'arrêt de la machine décrite dans le mode d'emploi doit impérativement être respectée. Les pompes ou groupes de pompes qui refoulent des fluides nocifs pour la santé doivent être décontaminés. Immédiatement après les interventions, tous les dispositifs de protection et de sécurité doivent être remis en place ou en état de fonctionnement.

Avant la (re)mise en service, il faut observer les points énumérés dans la section «Mise en service».

### **1.7 Transformation et fabrication non autorisées de pièces de rechange**

Toute transformation ou modification de la machine n'est autorisée qu'après concertation avec le fabricant. Les pièces de rechange d'origine et les accessoires autorisés par le fabricant servent à assurer la sécurité. L'utilisation d'autres pièces peut conduire à l'annulation de la responsabilité en cas de dommages consécutifs.

### **1.8 Modes d'exploitation non-autorisés**

La sécurité de fonctionnement des machines livrées n'est garantie que par l'utilisation conforme à la section 2 - *Général* du mode d'emploi. Les valeurs limites indiquées dans la fiche technique ne doivent en aucun cas être dépassées.

## **2. GÉNÉRAL**

### **2.1 Identifications des avertissements**

Le présent mode d'emploi est valable pour la station de pompage préfabriquée SANIFOS®.

**En cas de non-respect de ce mode d'emploi, en particulier des consignes de sécurité, et en cas de transformation arbitraire de l'appareil ou de l'utilisation de pièces de rechange non-originales, la garantie s'annule automatiquement. Le fabricant décline toute responsabilité pour les dommages qui en découlent !**

#### **Dimensions :**

Cuve SANIFOS® pour installation simple ou double.

Des pompes avec une sortie de refoulement de 2" et une puissance atteignant 4 kW peuvent être utilisées.

### **2.2 Demandes et réservations**

Veuillez adresser vos demandes et réservations à votre revendeur spécialisé.

### **2.3 Caractéristiques techniques**

<b>Largeur utile</b>	1000 mm
<b>Diamètre extérieur approximatif.</b>	1100 mm

#### **Hauteur de cuve:**

	<b>Hauteur du corps de base</b>	<b>Hauteur avec réhausse télescopique et regard BEGU Classe A</b>	<b>Hauteur avec réhausse télescopique et regard BEGU Classe B</b>	<b>Hauteur avec réhausse télescopique et regard BEGU Classe D</b>
H2	1600	1730-1960	1775-2005	1810-2040
H3	2100	2230-2460	2275-2505	2310-2540
H5	3100	3230-3460	3275-3505	3310-3540

<b>Caractéristiques</b>	
Orifice du dispositif de fermeture de la cuve	Ø 625 mm
Poids	60 à 90 kg (sans pièce incorporée)
Entrée	adaptée pour PVC-KG DN 150
Profondeur d'amenée	675 mm (axe du tuyau) depuis le bord inférieur du fond de la cuve
Conduite de refoulement	PE HD DN 50 Øext= 63 mm
Profondeur de la conduite de refoulement	675 mm (axe du tuyau) depuis le bord inférieur du fond de la cuve
Volume de retenue	env. 400 l
Volume de commutation	minimum 150 l
Conduit de ventilation/passage pour câbles	2 x PVC DN 100
Profondeur du raccord	1 175 mm (axe du tuyau) depuis le bord inférieur du fond de la cuve
Température maximale du fluide	60 °C

**La cuve est insensible à la poussée verticale jusqu'à un niveau de nappe souterraine de 1,2 m à compter du bord inférieur de la cuve !**

### Matériaux

<b>Cuve</b>	PE
<b>Système de couplage</b>	Fonte GG 20
<b>Vanne d'arrêt</b>	Laiton
<b>Conduite de refoulement</b>	PE
<b>Clapet anti-retour</b>	GG 25

### 2.4 Domaine d'application

Les stations de pompage de la série SANIFOS® servent à l'évacuation (collecte et refoulement) des eaux usées, domestiques et industrielles situées au-dessous du niveau de reflux des égouts. Elles sont installées à l'extérieur des bâtiments.

### 2.5 Contenu de la livraison

La station de pompage préfabriquée SANIFOS® est livrée complète avec :

- un système d'accouplement sans vis ;
- une vanne d'arrêt DN 50 ;
- un clapet anti-retour DN 50 ;
- une conduite de refoulement complète avec raccords à visser ;
- un branchement pour le nettoyage disponible, obturé par un tampon borgne ;
- pompe(s) submersible(s)\* DN 50 (voir le mode d'emploi séparé) ;
- un dispositif de régulation pneumatique du niveau/interrupteur à flotteur\* ;
- une réhausse ajustable avec joint à lèvres ;
- un dispositif de fermeture regard BEGU\* de classe A (carrossable), classe B ou D.

\* en option

## 3. TRANSPORT ET ENTREPOSAGE

---

### 3.1 Transport

Les stations de pompage préfabriquées de la série SANIFOS® ne doivent pas être lancées et ne doivent pas tomber. Par ailleurs, elles doivent être transportées à la verticale (sauf SANIFOS® 3100).

### 3.2 Entreposage/conservation

La conservation dans un lieu frais, à l'abri de la lumière, sec et protégé du gel suffit pour l'entreposage.

## 4. MISE EN SERVICE

---

### 4.1 Général

La station de pompage est entièrement montée, de sorte qu'il est seulement nécessaire d'accrocher la pompe et d'établir les raccordements (arrivée, refoulement, conduite d'aération, contrôle de niveau et alimentation électrique).

### 4.2 Structure et mode de fonctionnement

Un système de couplage est installé sur le fond de la cuve et permet d'accrocher la pompe sans utiliser de vis. Une barre de guidage, fixée à une traverse du col de la cuve, est disponible pour guider la pompe lorsqu'elle est accrochée. Il est possible de retirer la pompe complètement hors de la cuve à l'aide de la chaîne disponible, sans avoir à dévisser les raccords présents dans le puits. Un dispositif de levage peut éventuellement être nécessaire pour le relevage, en fonction de la taille et du poids de la pompe. Après une durée de fonctionnement prolongée, un effet de ventouse peut être généré au niveau de l'embase de couplage de la pompe. Pour libérer la pompe, il faut tendre légèrement la chaîne puis la faire osciller jusqu'à ce que la pompe se libère de l'embase de couplage. Ensuite, la pompe peut être retirée facilement. Des forces de traction trop importantes sur la chaîne doivent être évitées pour ne pas provoquer de détérioration de la cuve en matière plastique. Des travaux de maintenance et de réparation sur la pompe sont ainsi possibles hors de la cuve. Afin d'éviter le reflux de la colonne d'eau dans la conduite de refoulement lors des travaux de maintenance ou de réparation au niveau du clapet anti-retour à bille, une vanne d'arrêt est montée sur la conduite de pression en amont du clapet anti-retour.

## 5. INSTALLATION

---

### 5.1 Réalisation de la fosse d'excavation

L'excavation doit être réalisée dans le respect des prescriptions usuelles (angle d'inclinaison de la digue de canal, étanchéonement éventuel, etc.)

### 5.2 Mise en place de la cuve

Avant d'insérer la cuve, l'excavation doit être remblayer avec env. 30 cm d'agrégat concassé et de 5 cm de gravillons, puis doit être rendue étanche, de façon à créer une surface d'appui horizontale. Ensuite, la cuve en PE doit être insérée dans la fosse et alignée. Remplir d'env. 30 cm de sable de remplissage et étanchéifier.



**Contrôler que la cuve est encore à niveau.**

### 5.3 Raccordement de la cuve

#### Entrée

Un manchon d'amenée DN 150 avec joint à lèvre est présent dans la cuve. La conduite d'alimentation (tube DN 150) y est insérée d'env. 1 cm. Applique au préalable du lubrifiant ou de la graisse sur la face intérieure. La déviation maximale de l'axe de l'amenée ne doit pas dépasser 3°. Des amenées supplémentaires sont disponibles en option.

#### Conduite de refoulement

La conduite de refoulement dépasse d'env. 180 mm hors du puits avec un raccord de tuyau PE HP 63x5,8. Un tuyau HP PE 63x5,8 doit être posé comme conduite de refoulement. Le raccordement aux raccords de tube présents sur le puits peut être effectué au moyen de raccord de compression du commerce.

#### Conduite de ventilation et de câbles

Deux manchons DN 100 avec joint à lèvre sont disponibles pour le conduit de ventilation et les câbles. Le tuyau de ventilation (tuyau DN 100) est inséré dans les manchons (voir amenée). Afin d'éviter toute nuisance olfactive, nous recommandons de diriger la conduite de purge d'air au-dessus du toit. Le tuyau pour le passage des câbles (tuyau DN 100) est inséré dans l'autre manchon puis prolongé jusqu'au boîtier de commande électrique. Le tuyau doit être obturé à la sortie de l'armoire électrique ou du bâtiment (p.ex. à l'aide d'un couvercle avec presse-étoupe). Dans le cas où un raccordement du tuyau n'est pas nécessaire, il doit alors être obturé avec un couvercle d'obturation du commerce.

#### Raccordement électrique

Le câble de la pompe et le tuyau flexible pneumatique (ou les câbles des flotteurs) sont guidés dans la conduite pour le passage des câbles vers le boîtier de commande électrique.

Le mode d'emploi de la pompe et le schéma de raccordement de la pompe sont valables pour le raccordement électrique.

#### ATTENTION



**Le point d'arrêt et le temps de fonctionnement doivent être réglés de façon à achever le pompage avant le niveau du corps de pompe, le tube de compression étant néanmoins entièrement émergé.**

**Le tuyau pneumatique doit toujours être guidé vers le tableau de commande avec une pente positive régulière et sans boucle. La longueur maximale ne doit pas dépasser 20 m.**

### 5.4 Remplissage de la fosse d'excavation

Avant de remplir la fosse, le joint à lèvre pour la pièce supérieure doit être inséré dans la cuve puis la réhausse doit être insérée et ajustée au niveau du sol à l'aide du couvercle de puits BEGU.

### ATTENTION



**Veillez noter que le contrôle de pression de la conduite de refoulement ne doit pas être réalisé avec la vanne d'arrêt fermée. Une fois que toutes les conduites ont été raccordées et que leur étanchéité a été vérifiée, la fosse d'excavation peut être remplie.**

Pour remplir la fosse, il faut utiliser du sable de remplissage ou du gravier conformément à la réglementation.

### AVERTISSEMENT



**Utiliser du gravier d'une granulométrie allant jusqu'à 32 mm, à condition que le terrain de la fosse ne corresponde pas à un groupe de granulation allant de 0 à 32 mm maximum. Ne pas utiliser de sol cohésif, de pierraille, de roches et de grains saillants !**

Le matériau de remplissage doit être ajouté par couches homogènes de 30 cm max d'épaisseur. Dans le cas d'un abaissement de la nappe phréatique de la fosse d'excavation, le compactage du matériau de remplissage peut être effectué en ajoutant de l'eau et en actionnant simultanément le dispositif d'abaissement de la nappe.

### AVERTISSEMENT



**Utiliser du matériau de remplissage friable !**

Pour garantir la sécurité de la portance sur un type de sol argileux, l'extérieur du puits doit être rempli de sable, de kaolin ou de béton. Afin d'exclure une déformation de la cuve en PE, il faut impérativement éviter un remplissage plus important d'un côté.

Ce n'est qu'après l'achèvement final des travaux de la cuve, incluant le remplissage et l'étanchéité de la fosse, que le dispositif d'abaissement de la nappe phréatique éventuellement utilisé peut être arrêté.

**La partie de la réhausse qui dépasse doit être correctement remblayée et rendue étanche.**

Afin de garantir un fonctionnement sûr de l'installation, il est nécessaire que la cuve soit de niveau après le remplissage.

**En cas d'utilisation d'un dispositif de fermeture de classe D, veuillez impérativement observer les consignes de l'installation.**

## 6. MISE EN SERVICE

Avant la mise en service, le montage et l'étanchéité de l'ensemble des raccordements doivent à nouveau être contrôlés, la vanne d'arrêt doit être ouverte.

Pour la mise en service de la pompe, veuillez lire le mode d'emploi séparé de la pompe ainsi que celui du boîtier de commande.



## 7. MAINTENANCE/ENTRETIEN



**Avant tous travaux sur l'installation, celle-ci doit être débranchée du secteur!**

La maintenance inclut une inspection visuelle régulière de l'installation complète. À cette occasion, il faut observer plusieurs cycles de pompage et contrôler le fonctionnement et l'étanchéité de l'ensemble des conduites et des raccords. Veuillez vous reporter au mode d'emploi de la pompe en ce qui concerne les instructions d'entretien. Une fois la maintenance effectuée, l'indicateur de l'intervalle de maintenance de la commande peut être réinitialisé. La maintenance doit être réalisée uniquement par des entreprises spécialisées agréées.

## 8. PANNES, CAUSES ET RÉOLUTION



**Avant tous travaux sur l'installation, celle-ci doit être débranchée du secteur!**

En cas de dysfonctionnement de la (des) pompe(s), veuillez lire son (leur) mode d'emploi. En présence de fuite au niveau des conduites, ou en cas de défaillance des armatures, les pièces correspondantes peuvent être remplacées (échangées).

## 9. GARANTIE

En tant que fabricant, nous offrons une garantie de 24 mois à partir de la date d'achat de ce produit.

La facture en votre possession sert de preuve de garantie. Pendant cette période de garantie, nous nous engageons, à notre discrétion, soit par réparation, soit par remplacement, à corriger gratuitement tous les défauts dus à des défauts de matériel ou de fabrication de la pompe.

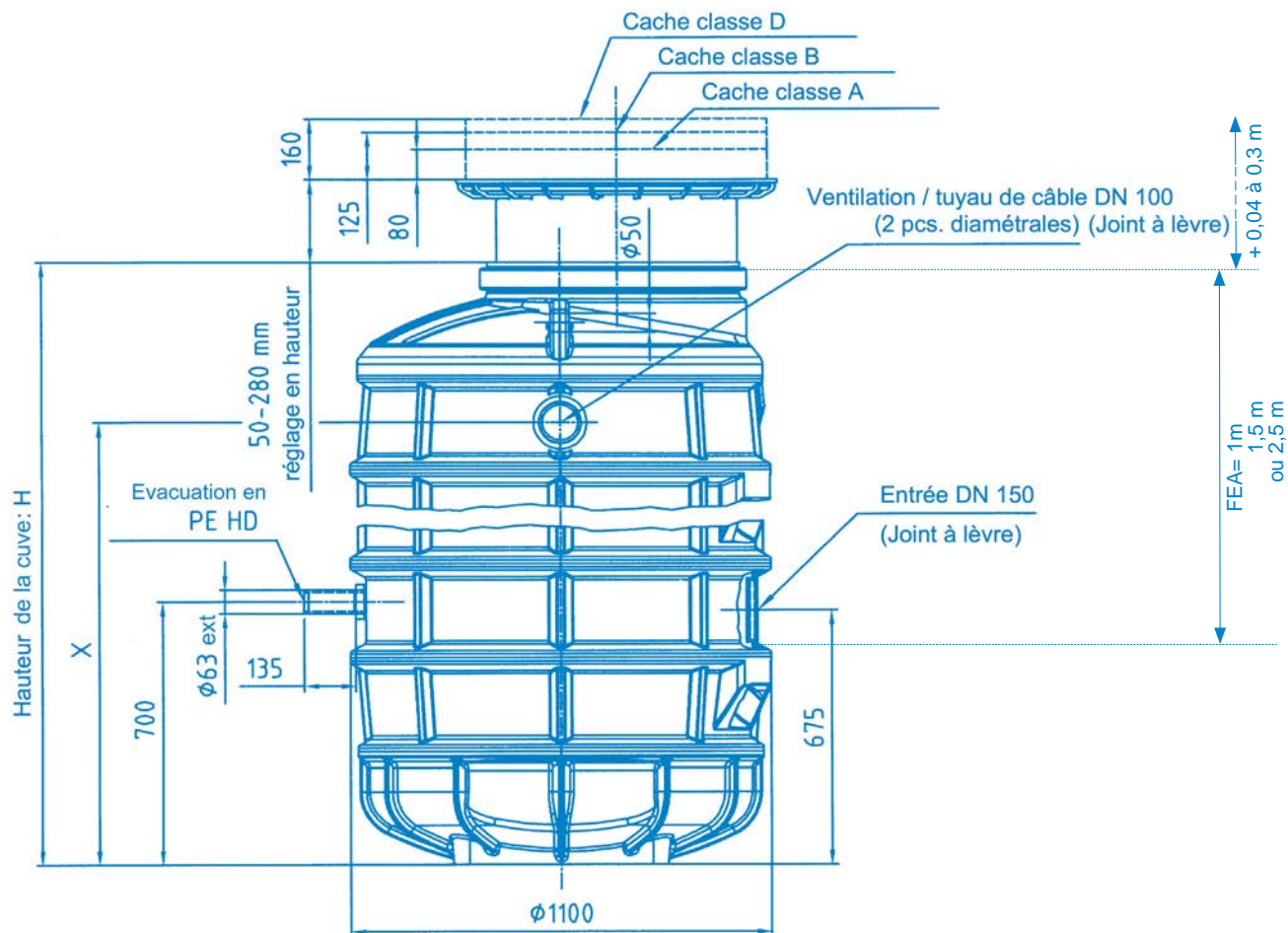
Les dommages ayant pour origine une utilisation non-conforme et l'usure sont exclus de la garantie. Nous déclinons toute responsabilité en matière de dommages consécutifs liés à une panne de l'équipement.

En cas de garantie, veuillez vous adresser à votre revendeur spécialisé.

## 10. MODIFICATIONS TECHNIQUES

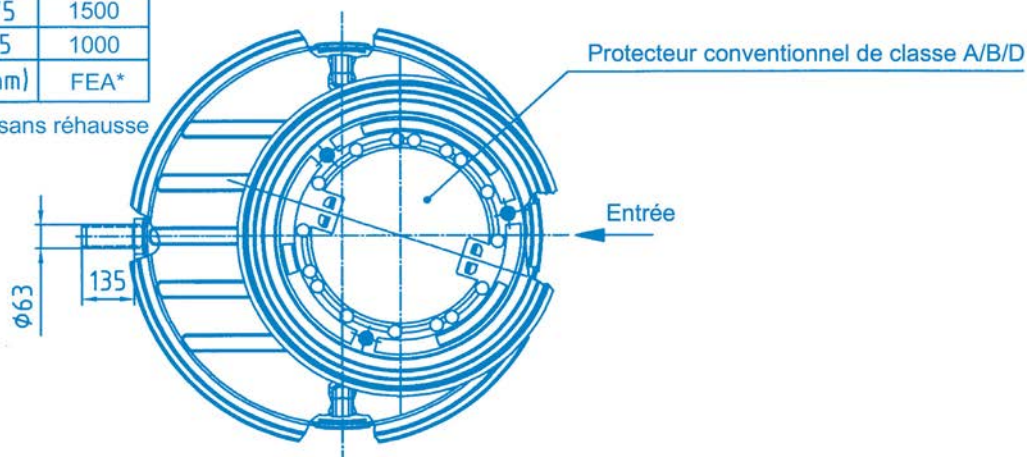
Nous nous réservons le droit d'effectuer des modifications techniques en vue d'un perfectionnement technique continu.

## Annexe A : Dimensions principales



3100	2675	2500
2100	1675	1500
1600	1175	1000
Hauteur de cuve: H	X (mm)	FEA*

\* sans réhausse

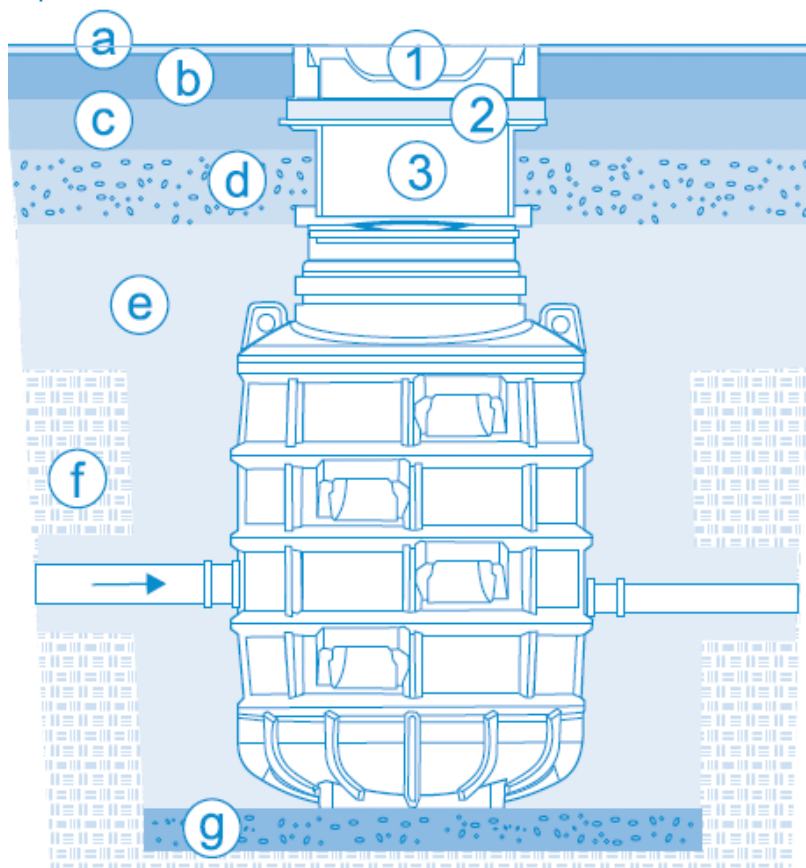


## Annexe B : Proposition de montage du dispositif de fermeture de la cuve de classe D

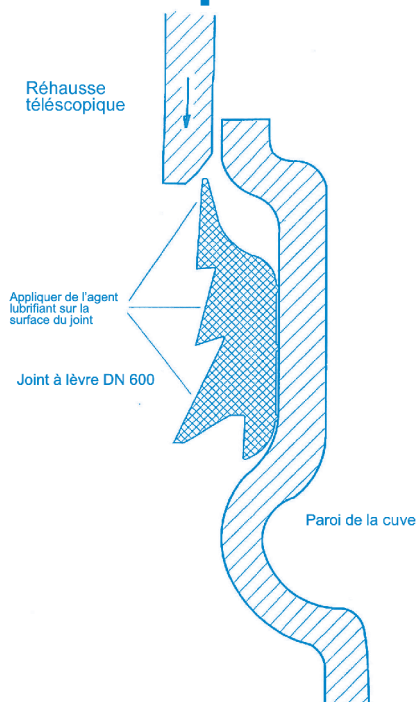
Proposition de montage conformément au corps de chaussée normalisé selon les directives de normalisation des corps de chaussée des zones de circulation

- ① Regard BEGU ordinaire de classe D
- ② Anneau en béton ordinaire pour ajustement de la hauteur
- ③ Réhausse en plastique, télescopique, ajustable en hauteur de 40 à 300 mm maximum

- a Couche d'usure env. 3 cm
- b Couche porteuse bitumineuse env. 8-12cm
- c Couche de propreté env. 10 cm
- d Agrégat concassé, env. 20 cm
- e Gravier antigel env. 25-30 cm
- f Terre
- g Gravillons



### Position du joint à lèvres pour la réhausse :



### ATTENTION



L'installation, le montage, la commande et la maintenance doivent être réalisés uniquement par une entreprise spécialisée. Les directives et les règles de sécurité doivent être respectées.

<b>1. SICUREZZA</b> .....	<b>p 37</b>
1.1 Identificazione delle avvertenze contenute nelle istruzioni per l'uso .....	p 37
1.2 Qualificazione e formazione del personale .....	p 38
1.3 Pericoli in caso di inosservanza delle avvertenze di sicurezza .....	p 38
1.4 Lavorare in sicurezza .....	p 38
1.5 Avvertenze di sicurezza per il gestore/operatore .....	p 38
1.6 Avvertenze di sicurezza per lavori di manutenzione, ispezione e montaggio .....	p 39
1.7 Trasformazione non autorizzata e produzione di pezzi di ricambio .....	p 39
1.8 Modalità di funzionamento vietate .....	p 39
<b>2. INFORMAZIONI GENERALI</b> .....	<b>p 39</b>
2.1 Pertinenza .....	p 39
2.2 Richieste e ordini .....	p 39
2.3 Dati tecnici .....	p 39
2.4 Campo di applicazione .....	p 40
2.5 Dotazione di fornitura .....	p 40
<b>3. TRASPORTO E STOCCAGGIO INTERMEDIO</b> .....	<b>p 41</b>
3.1 Trasporto .....	p 41
3.2 Stoccaggio intermedio/protezione anticorrosione .....	p 41
<b>4. DESCRIZIONE</b> .....	<b>p 41</b>
4.1 Informazioni generali .....	p 41
4.2 Assemblaggio e modalità operativa .....	p 41
<b>5. INSTALLAZIONE</b> .....	<b>p 41</b>
5.1 Costruzione dello scavo di fondazione .....	p 41
5.2 Installazione del pozzo .....	p 41
5.3 Collegamento del pozzo .....	p 42
5.4 Rinterro del pozzo .....	p 42
<b>6. MESSA IN SERVIZIO</b> .....	<b>p 43</b>
<b>7. MANUTENZIONE</b> .....	<b>p 44</b>
<b>8. GUASTI: CAUSE E RISOLUZIONE</b> .....	<b>p 44</b>
<b>9. GARANZIA</b> .....	<b>p 44</b>
<b>10. MODIFICHE TECNICHE</b> .....	<b>p 44</b>
Allegato A : Dimensioni principali .....	p 45
Allegato B : Suggerimento per il montaggio di chiusino classe D .....	p 46

# 1. SICUREZZA

## **ATTENZIONE**

Questo apparecchio può essere utilizzato da bambini a partire dagli 8 anni e dalle persone con capacità fisiche, sensoriali o mentali ridotte, o prive di esperienza e conoscenze a condizione che siano correttamente sorvegliate o che abbiano ricevuto istruzioni sull'uso sicuro del dispositivo e che ne conoscano i pericoli. I bambini non devono giocare con l'apparecchio. La pulizia e la manutenzione da parte dell'utente non devono essere eseguite da bambini non supervisionati.

## **RACCORDO ELETTRICO:**

Il raccordo elettrico deve essere eseguito da un elettrotecnico qualificato. Il circuito di alimentazione del dispositivo deve essere messo a terra (classe I) e protetto da un interruttore differenziale a elevata sensibilità (30 mA). I dispositivi senza prese devono essere collegati ad un interruttore principale di alimentazione che garantisca la disconnessione di tutti i poli (distanza di separazione dei contatti: almeno 3 mm). Il collegamento deve servire esclusivamente per alimentare l'apparecchio.

Se il cavo di alimentazione è danneggiato, deve essere sostituito dal fabbricante, dal servizio clienti o da persone con qualifica simile per evitare qualsiasi rischio.

Le presenti istruzioni per l'uso contengono informazioni di base che devono essere osservate durante l'installazione, il funzionamento e la manutenzione. Per questo motivo, le presenti istruzioni per l'uso devono essere lette dall'installatore e dal personale specializzato/gestore responsabile prima dell'installazione e della messa in funzione e devono essere sempre disponibili presso il luogo di installazione della macchina/impianto.

Si devono rispettare non solo le istruzioni di sicurezza generali elencate in questo punto principale, ma anche le istruzioni di sicurezza speciali inserite in altri punti principali, ad es. per uso privato.

## 1.1 Identificazione delle avvertenze contenute nelle istruzioni per l'uso



### Pericolo

Questo termine definisce un pericolo derivante da rischi elevati che potrebbero portare alla morte o lesioni gravi, se non evitati.



### Avvertenza

Questo termine definisce un pericolo che potrebbe causare un rischio per la macchina e il suo funzionamento, se non preso in considerazione.



### Zona pericolosa

Questo simbolo associato con una parola chiave, indica pericoli che possono portare alla morte o a lesioni.



### Tensione elettrica pericolosa

Questo simbolo caratterizza, associato con una parola chiave, i pericoli insiti alla tensione elettrica e fornisce informazioni sulla protezione contro la sovratensione.

ATTENZIONE



### Danni materiali

Questo simbolo caratterizza, insieme con la parola chiave **ATTENZIONE** dei pericoli per la macchina.

Note applicate direttamente alla macchina, ad es. freccia direzionale, caratteristiche delle connessioni del fluido, devono essere osservati e tenuti in condizioni di piena leggibilità.

## 1.2 Qualificazione e formazione del personale

Il personale addetto al funzionamento, alla manutenzione, all'ispezione e al montaggio deve essere adeguatamente qualificato per questi lavori. L'ambito di responsabilità, competenza e supervisione del personale devono essere regolamentati con cura dal gestore. Se il personale non dispone delle conoscenze necessarie, deve essere addestrato e istruito. Se necessario, ciò può essere fatto dal produttore/fornitore per conto del gestore della macchina. Inoltre, il gestore deve assicurarsi che il contenuto delle istruzioni per l'uso sia pienamente compreso dal personale.

## 1.3 Pericoli in caso di inosservanza delle avvertenze di sicurezza

La mancata osservanza delle norme di sicurezza può mettere in pericolo le persone, l'ambiente e la macchina. L'inosservanza delle istruzioni di sicurezza può comportare la perdita di qualsiasi diritto al risarcimento danni.

In particolare, la mancata osservanza può comportare, ad esempio, i seguenti pericoli:

- Guasto di funzioni importanti della macchina/impianto
- Mancato rispetto dei metodi prescritti per l'assistenza e la manutenzione
- Pericolo per le persone dovuto a effetti elettrici, meccanici e chimici
- Rischio per l'ambiente dovuto alla fuoriuscita di sostanze pericolose

## 1.4 Lavorare in sicurezza

Rispettare le indicazioni di sicurezza contenute nelle presenti istruzioni per l'uso, le norme antinfortunistiche nazionali vigenti e le eventuali norme interne di lavoro, operative e di sicurezza dell'operatore.

## 1.5 Avvertenze di sicurezza per il gestore/operatore

- Se parti calde o fredde della macchina comportano rischi, queste parti devono essere protette dal contatto a cura del cliente.
- La protezione contro il contatto con parti in movimento (ad es. giunto) non deve essere rimossa durante il funzionamento della macchina.
- Le perdite (ad es. della guarnizione per alberi) di materiali pericolosi (ad es. esplosivi,

tossici, caldi) devono essere rimosse in modo che non sussistano pericoli per le persone o per l'ambiente. Devono essere rispettate le disposizioni di legge.

- I pericoli derivanti dall'energia elettrica devono essere esclusi (per i dettagli si vedano, ad esempio, le disposizioni della VDE e delle aziende locali di approvvigionamento energetico).

### **1.6 Avvertenze di sicurezza per lavori di manutenzione, ispezione e montaggio**

Il gestore deve assicurarsi che tutti i lavori di manutenzione, ispezione e installazione siano eseguiti da personale specializzato, autorizzato e qualificato, che si sia sufficientemente informato con uno studio approfondito delle istruzioni per l'uso.

In linea di principio, i lavori sulla macchina devono essere eseguiti solo a macchina ferma. Attenersi scrupolosamente alla procedura descritta nelle istruzioni per l'uso per l'arresto della macchina.

Le pompe o le unità di pompaggio che trasportano fluidi pericolosi per la salute devono essere decontaminate. Immediatamente dopo il completamento dei lavori, tutti i dispositivi di sicurezza e di protezione devono essere rimontati o messi in funzione.

Prima della (ri)messa in servizio è necessario rispettare i punti elencati nella sezione di messa in servizio.

### **1.7 Trasformazione non autorizzata e produzione di pezzi di ricambio**

La macchina può essere convertita o modificata solo previa consultazione con il costruttore. I pezzi di ricambio originali e gli accessori autorizzati dal produttore servono a scopi di sicurezza. L'uso di altre parti può annullare la responsabilità per le conseguenze che ne derivano.

### **1.8 Modalità di funzionamento vietate**

La sicurezza di funzionamento della macchina fornita è garantita solo se utilizzata in conformità alla sezione 2 - *Informazioni generali* delle istruzioni per l'uso. I valori limite indicati nella scheda tecnica non devono in nessun caso essere superati.

## **2. INFORMAZIONI GENERALI**

### **2.1 Pertinenza**

Le presenti istruzioni per l'uso valgono per la stazione di pompaggio pronta all'uso SANIFOS®.

**L'inosservanza delle istruzioni per l'uso - in particolare delle istruzioni di sicurezza - così come la modifica non autorizzata dell'apparecchio o l'installazione di pezzi di ricambio non originali, invalidano automaticamente la garanzia. Il fabbricante non risponde di danni da questo derivanti!**

### **Dimensioni :**

SANIFOS® Installazioni integrate pozzo per impianti singoli o doppi

Possono essere utilizzate pompe con un'uscita di pressione di 2" e una potenza fino a circa 4 kW.

### **2.2 Richieste e ordini**

Le richieste e gli ordini possono essere indirizzati al vostro rivenditore specializzato.

### **2.3 Dati tecnici**

<b>Larghezza libera</b>	1000 mm
<b>Diametro esterno ca.</b>	1100 mm

## Altezza del serbatoio:

	Altezza corpo base	Altezza con pezzo di fissaggio e copertura BEGU Classe A	Altezza con pezzo di fissaggio e copertura BEGU Classe B	Altezza con pezzo di fissaggio e copertura BEGU Classe D
H2	1600	1730-1960	1775-2005	1810-2040
H3	2100	2230-2460	2275-2505	2310-2540
H5	3100	3230-3460	3275-3505	3310-3540

Caratteristiche	
Apertura del chiusino	Ø 625 mm
Peso	60 à 90 kg (senza parti incorporate)
Alimentazione	adatto per PVC DN 150
Profondità di ingresso	675 mm (tubo centrale) dal fondo del pozzo
Attacco di pressione	PE HD DN 50 Øest.= 63 mm
Profondità dell'attacco di mandata	675 mm (tubo centrale) dal fondo del pozzo
Volume di stoccaggio	ca. 400 l
Volume di commutazione	minimo 150 l
Tubo di ventilazione/cavo	2 x PVC DN 100
Profondità del collegamento	1175 mm (tubo centrale) dal fondo del pozzo
Temperatura massima del fluido	60 °C

**Il serbatoio è sicuro contro il galleggiamento fino ad un livello dell'acqua freatica di 1,2 m dal bordo inferiore del pozzo!**

## Materiali

<b>Serbatoio</b>	PE
<b>Sistema di accoppiamento</b>	Ghisa GG 20
<b>Valvole di chiusura</b>	Ottone
<b>Tubo di mandata</b>	PE
<b>Valvola di ritegno</b>	GG 25

## 2.4 Campo di applicazione

Le stazioni di pompaggio della serie SANIFOS® sono utilizzate per lo smaltimento (raccolta e convogliamento) di acque reflue domestiche e industriali e fognarie, che si accumulano sotto il livello di riflusso della rete fognaria. Sono utilizzate all'esterno degli edifici.

## 2.5 Dotazione di fornitura

La stazione di pompaggio pronta all'uso SANIFOS® viene consegnata completa :

- sistema di aggancio senza viti
- valvola di intercettazione DN 50
- valvola di ritegno DN 50
- tubazione di mandata completa con collegamenti a vite
- connessione a filo pronta, sigillata con tappi ciechi
- elettropompa(i) sommersa(i)\* DN 50 (vedi istruzioni per l'uso separate)
- controllo pneumatico del livello/ interruttore a galleggiante\* (vedi istruzioni per l'uso separate)
- pezzo di fissaggio variabile con guarnizione a labbro



- BEGU - Chiusino\* classe A (accessibile), B o D.

\* disponibile come opzione

## 3. TRASPORTO E STOCCAGGIO INTERMEDIO

---

### 3.1 Trasporto

Le stazioni di pompaggio pronte all'uso della serie SANIFOS® non devono essere scaraventate o fatte cadere. Dovrebbero essere trasportati anche verticalmente (tranne SANIFOS® 3100).

### 3.2 Stoccaggio provvisorio/conservazione

Per lo stoccaggio e la conservazione temporanea è sufficiente conservare il prodotto in un luogo fresco, buio, asciutto e protetto dal gelo. Il sistema dovrebbe essere verticale.

## 4. DESCRIZIONE

---

### 4.1 Informazioni generali

La stazione di pompaggio è completamente assemblata, in modo che occorra solo agganciare la pompa e realizzare i collegamenti (ingresso, tubo di pressione, tubo di ventilazione, controllo di livello e alimentazione).

### 4.2 Assemblaggio e modalità operativa

Un sistema di accoppiamento è montato sul fondo del pozzo a cui è collegata la pompa senza viti. Per guidare la pompa durante l'aggancio, è previsto un tubo di guida che è collegato ad una traversa nel collo del pozzo. La pompa può essere estratta completamente dal pozzo per mezzo di una catena collegata, senza allentare prima i collegamenti a vite nel pozzo. A seconda delle dimensioni della pompa, può essere necessario un argano per estrarla. Dopo un lungo periodo di funzionamento, la pompa potrebbe rimanere bloccata al piede di accoppiamento. Per allentare la pompa, stringere leggermente la catena e farla muovere fino a quando la pompa si sgancia dal piede di accoppiamento. In questo modo la pompa può essere estratta facilmente. Si devono evitare forze di trazione eccessive sulla catena per evitare di danneggiare il pozzo in plastica. In questo modo è possibile eseguire lavori di manutenzione o riparazione sulla pompa all'esterno del pozzo. Per evitare il ritorno della colonna d'acqua nella tubazione di mandata durante i lavori di manutenzione o riparazione della valvola di ritegno a sfera, nella tubazione di mandata a monte della valvola di ritegno è montata una valvola di intercettazione.

## 5. INSTALLAZIONE

---

### 5.1 Costruzione dello scavo di fondazione

Lo scavo di fondazione deve essere costruito secondo le norme dell'associazione di categoria (angolo di pendenza, eventuale puntellamento, ecc.)

### 5.2 Installazione del pozzo

Prima della posa del pozzo, lo scavo di fondazione deve essere riempito con circa 30 cm di ghiaia e 5 cm di pietrisco compattato in modo da creare una superficie di appoggio orizzontale.

Il serbatoio in PE deve poi essere inserito nello scavo di fondazione e allineato. Quindi riempire con circa 30 cm di sabbia di riempimento e compattare.

## AVVERTENZA



**Controllare se il pozzo è ancora in equilibrio.**

### 5.3 Installazione del serbatoio

#### Alimentazione

Nel serbatoio è presente un manicotto d'ingresso DN 150 con guarnizione a labbro. Il tubo d'ingresso (tubo DN 150) viene inserito in esso per circa 1 cm. Prima di ciò, è necessario applicare lubrificante o grasso all'interno della guarnizione. La deviazione massima dall'asse dell'ingresso non deve superare 3°. Ulteriori ingressi sono possibili in opzione.

#### Tubo di mandata

Il tubo in pressione termina a ca. 180 mm all'esterno del pozzo con un raccordo PE HD 63x5,8. Il tubo in PE HD 63x5,8 deve essere posato come tubo di mandata. Il collegamento alla presa del tubo esistente sul pozzo può essere effettuato, ad esempio, con i raccordi a compressione disponibili in commercio.

#### Ventilazione/percorso cavi

Sono disponibili 2 manicotti con guarnizione a labbro DN 100 per la ventilazione/ ingresso cavi. Il tubo di ventilazione (tubo DN 100) viene inserito nel manicotto (vedi ingresso). Per evitare odori sgradevoli, si consiglia di far passare il tubo di ventilazione sul tetto. La canalina per cavi (tubo DN 100) viene inserita nell'altro manicotto e condotta all'apparecchio di comando. Il tubo deve essere chiuso all'uscita nel quadro elettrico ad armadio o nell'edificio (ad es. mediante una copertura cieca con pressacavi). Se non è necessario un collegamento del tubo, questo deve essere chiuso con una copertura cieca disponibile in commercio.

#### Allacciamento elettrico

Il cavo della pompa e il tubo flessibile pneumatico/cavi per interruttori a galleggiante vengono fatti passare nella canalina del cavo fino all'apparecchio di comando.

Per il collegamento elettrico valgono le istruzioni per l'uso della pompa e lo schema elettrico per il comando della pompa.

## ATTENZIONE



**Il punto di spegnimento e il tempo di funzionamento per inerzia devono essere impostati in modo che il processo di pompaggio sia completato prima che il corpo pompa emerga, ma il tubo di Pitot è già completamente emerso. Il tubo pneumatico deve essere portato continuamente verso l'alto e senza anelli verso l'apparecchio di comando. La lunghezza massima non deve superare i 20 m.**

### 5.4 Riempimento dello scavo di fondazione

Prima di riempire lo scavo, la guarnizione a labbro per il pezzo di fissaggio deve essere inserita nel serbatoio e il pezzo di fissaggio deve essere inserito e adattato all'altezza del terreno con il chiusino BEGU.

## ATTENZIONE



**Tenga presente che la prova di pressione del tubo di mandata deve essere eseguita da un tecnico qualificato e non deve essere eseguita contro la valvola a saracinesca chiusa nel pozzo per pompe. Una volta collegati tutti i tubi e controllate le perdite, lo scavo di fondazione può essere riempito.**

Per il riempimento dello scavo deve essere utilizzata sabbia di riempimento o sabbia ghiaiosa in conformità con le norme vigenti.

## AVVERTENZA



**Utilizzare sabbia ghiaiosa solo fino ad una granulometria di 32 mm se il pavimento di scavo non corrisponde al gruppo di granulometria 0 - max. 32 mm.  
Non utilizzare terriccio, ghiaioni, rocce o grani a spigoli vivi !**

Il materiale di riempimento deve essere applicato in spessori di max. 30 cm e compattato in modo uniforme. In caso di abbassamento delle acque sotterranee dello scavo di fondazione, il materiale di riempimento può essere compattato con l'aggiunta di acqua e il contemporaneo funzionamento del sistema di abbassamento.

## AVVERTENZA



**Utilizzare materiale di riempimento non coesivo !**

Il serbatoio deve essere riempito dall'esterno con sabbia, argilla o cemento per garantire la sicurezza di galleggiamento nel tipo di terreno argilloso. Per evitare la deformazione del pozzo in PE, è essenziale evitare un elevato riempimento su un solo lato.

Solo dopo il completamento definitivo del serbatoio, compresi il riempimento e la compattazione dello scavo di fondazione, il sistema di abbassamento dell'acqua di falda, se utilizzato, può essere disattivato.

**L'attacco sporgente del pezzo di fissaggio deve essere riempito e compattato bene.**

Per garantire un funzionamento sicuro del sistema, è necessario che il serbatoio sia ancora allineato in posizione orizzontale dopo il riempimento.

**Quando si utilizza un chiusino di classe D, è indispensabile osservare le istruzioni del sistema.**

## 6. MESSA IN SERVIZIO

Prima della messa in funzione, tutti i collegamenti devono essere nuovamente controllati per verificarne la corretta installazione e tenuta; la valvola a saracinesca deve essere aperta.

Per la messa in funzione della pompa, leggere le istruzioni per l'uso separate delle pompe e dell'apparecchio di comando.

## 7. MANUTENZIONE



**PERICOLO**



**Scollegare l'impianto dalla rete elettrica prima di eseguire qualsiasi lavoro su di esso !**

La manutenzione comprende una regolare ispezione visiva dell'intero sistema. Durante il processo si osservano diversi cicli di commutazione della pompa e si controlla il funzionamento e la tenuta di tutte le parti della tubazione e dei raccordi. Le istruzioni per la manutenzione delle pompe si trovano nelle rispettive istruzioni per l'uso. L'indicazione dell'intervallo di manutenzione del controller può essere azzerata dopo l'esecuzione della manutenzione. La manutenzione deve essere eseguita solo da ditte specializzate autorizzate.

## 8. GUASTI: CAUSE E RISOLUZIONE



**PERICOLO**



**Scollegare l'impianto dalla rete elettrica prima di eseguire qualsiasi lavoro su di esso !**

Se la pompa o le pompe non funzionano correttamente, si prega di leggere le istruzioni per l'uso. In caso di perdite nelle tubazioni o di guasto delle valvole, le parti corrispondenti possono essere semplicemente sostituite (sostituzione).

## 9. GARANZIA

Come produttore, garantiamo questo prodotto per 24 mesi dalla data di acquisto.

Lo scontrino fiscale vale come prova d'acquisto. Entro questo periodo di garanzia, a nostra scelta, ripareremo o sostituiremo gratuitamente tutti i difetti attribuibili a difetti di materiale o di fabbricazione mediante riparazione o sostituzione.

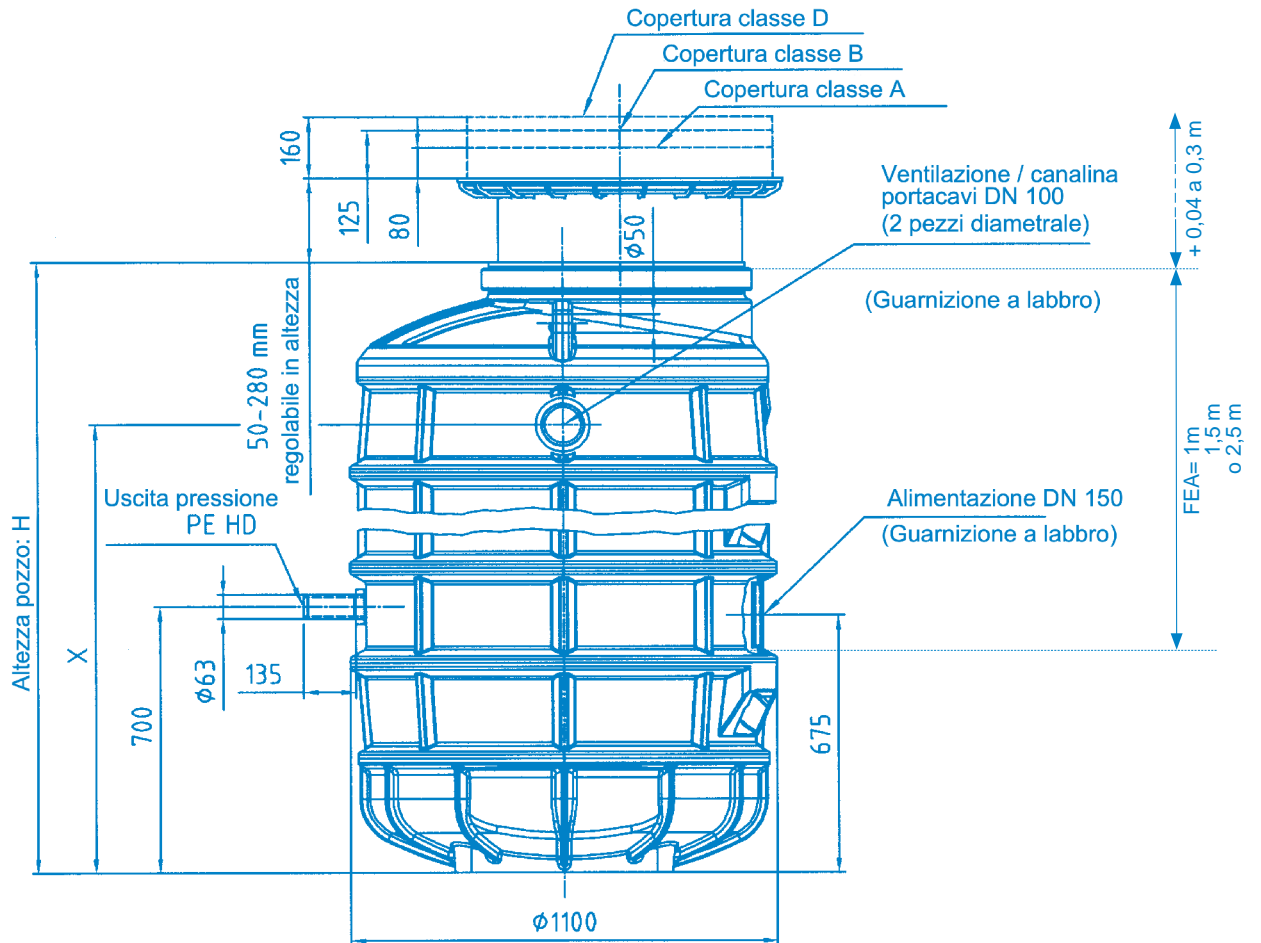
Sono esclusi dalla garanzia i danni causati da un uso improprio e dall'usura. Non ci assumiamo alcun danno consequenziale causato da un guasto dell'apparecchio.

Per richiedere parti di ricambio rivolgetevi al vostro negozio specializzato.

## 10. MODIFICHE TECNICHE

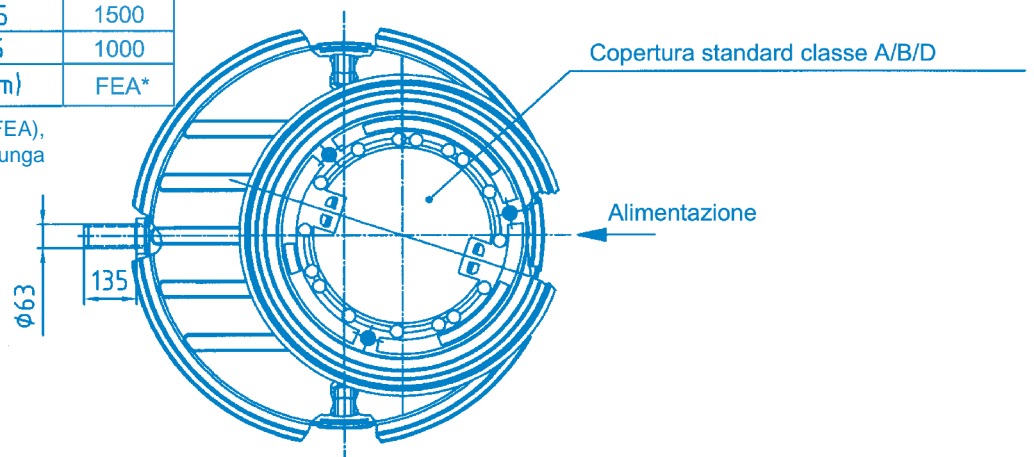
Ci riserviamo il diritto di apportare modifiche tecniche allo scopo di ulteriore sviluppo.

# Allegato A: Dimensioni principali



3100	2675	2500
2100	1675	1500
1600	1175	1000
Altezza pozzo: H	X (mm)	FEA*

\* Flusso d'acqua in ingresso (FEA), senza prolunga

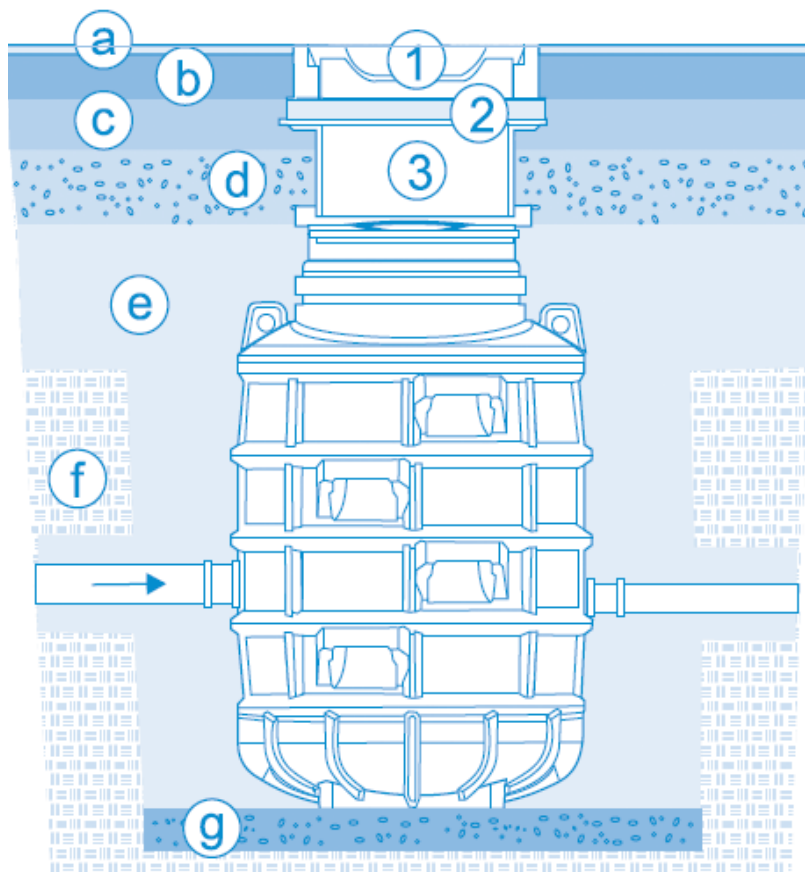


## Allegato B : Proposta di installazione del chiusino Classe D

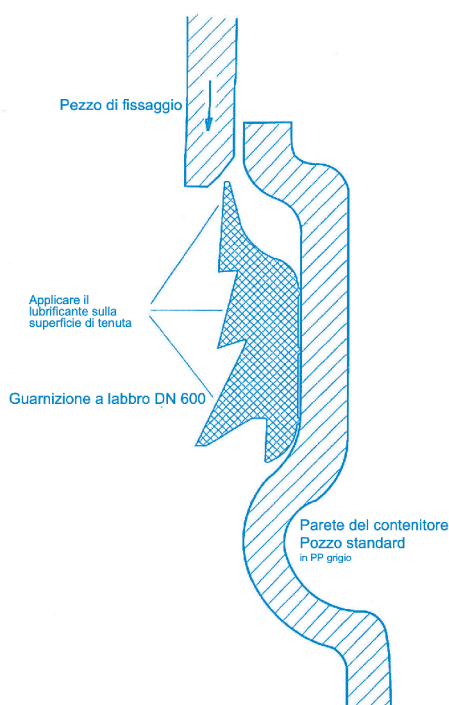
Suggerimento per l'installazione secondo la costruzione stradale standard

- ① Copertura BEGU disponibile in commercio classe D
- ② Anelli in calcestruzzo disponibili in commercio per la compensazione in altezza
- ③ Pezzo di fissaggio in plastica, regolabile in altezza da 40 - max. 300 mm

- a Strato d'usura ca. 3 cm
- b Strato portante bituminoso ca. 8-12cm
- c Magrone di sottofondo ca. 10 cm
- d Ghiaia ca. 20 cm
- e Ghiaiaia antigelo ca. 25-30 cm
- f Terreno
- g Pietrisco



### Posizione della guarnizione a labbro per la prolunga :



#### ATTENZIONE



L'installazione, il montaggio, il funzionamento e la manutenzione devono essere eseguiti esclusivamente da una ditta specializzata. Devono essere rispettate le direttive e le regole di sicurezza.

<b>1. VEILIGHEID</b> .....	<b>p 48</b>
1.1 Kentekening van aanwijzingen in de gebruikshandleiding	p 48
1.2 Personeelscompetenties en scholing .....	p 49
1.3 Gevaren bij niet beachten van de veiligheidsinstructies	p 49
1.4 Veiligheidsbewust werken .....	p 49
1.5 Veiligheidsinstructies voor de eigenaar/bediener ....	p 49
1.6 Veiligheidsinstructies voor onderhouds-, inspectie- en montagewerken .....	p 49
1.7 Eigen ombouw en fabricage van wisselstukken .....	p 50
1.8 Ontoelaatbare werkingswijzen .....	p 50
<b>2. ALGEMEEN</b> .....	<b>p 50</b>
2.1 Aansluitingen .....	p 50
2.2 Aanvragen en bestellingen .....	p 50
2.3 Technische gegevens .....	p 50
2.4 Toepassing .....	p 51
2.5 Levering .....	p 51
<b>3. TRANSPORT EN TUSSENOPSLAG</b> .....	<b>p 52</b>
3.1 Transport.....	p 52
3.2 Tussenopslag / bewaring .....	p 52
<b>4. BESCHRIJVING</b> .....	<b>p 52</b>
4.1 Algemeen .....	p 52
4.2 Opbouw en werkwijze .....	p 52
<b>5. INSTALLATIE</b> .....	<b>p 52</b>
5.1 Uitgraven .....	p 52
5.2 Inbrengen van de schacht .....	p 52
5.3 Aansluiten van de schacht.....	p 53
5.4 Vullen van de schacht .....	p 53
<b>6. INBEDRIJFSTELLING</b> .....	<b>p 54</b>
<b>7. ONDERHOUD</b> .....	<b>p 55</b>
<b>8. STORINGEN: OORZAKEN EN VERHELPEN</b>	<b>p 55</b>
<b>9. GARANTIE</b> .....	<b>p 55</b>
<b>10. TECHNISCHE WIJZIGINGEN</b> .....	<b>p 55</b>
Bijlage A : Hoofdafmetingen .....	p 56
Bijlage B : Installatieaanbeveling voor putdekselklasse D..	p 57

# 1. VEILIGHEID

## PAS OP

Dit apparaat kan worden gebruikt door kinderen vanaf 8 jaar en door personen met lichamelijke, zintuiglijke of verstandelijke beperking of door mensen zonder ervaring of kennis, mits zij onder correct toezicht staan of instructies voor het veilige gebruik van het apparaat hebben gekregen en zij de risico's hebben begrepen. Kinderen mogen niet spelen met het apparaat. De schoonmaak en het onderhoud door de gebruiker mag niet worden uitgevoerd door kinderen zonder toezicht.

## ELEKTRISCHE AANSLUITING:

De elektrische installatie moet door een erkend elektrotechnisch expert worden uitgevoerd.

Het stroomcircuit van het apparaat moet worden geaard (klasse I) en beschermd door een hoge gevoeligheid aardlekschakelaar (30mA). De apparaten zonder stekkers dienen aangesloten te worden op een hoofdschakelaar op het elektriciteitsnet dat de verbreking van alle polen verzekert (scheidingsafstand voor contacten minimaal 3 mm). De koppeling moet uitsluitend worden gebruikt voor de stroomvoorziening van het apparaat.

Indien de voedingskabel beschadigd is, dient deze om gevaar te voorkomen, te worden vervangen door de fabrikant, de klantenservice of mensen met soortgelijke bevoegdheden.

Deze gebruikshandleiding bevat basisaanwijzingen, die bij opstelling, werking en onderhoud aan te houden zijn. Daarom is deze gebruiksaanwijzing zeker voor montage en inbedrijfstelling door de monteur alsook door het verantwoordelijke vakpersoneel/operator te lezen en moet die ten allen tijde beschikbaar zijn op de plaats van gebruik van de machine/toestel.

Niet enkel de onder dit hoofdpunt veiligheid opgelijste, algemene veiligheidsaanwijzingen moeten in acht genomen worden, maar ook de onder andere hoofdpunten ingevoegde, speciale veiligheidsaanwijzingen, zoals bv. voor privégebruik.

### 1.1 Kentekening van aanwijzingen in de gebruikshandleiding



**GEVAAR**

#### Gevaar

Deze term definieert een hoog risico op gevaar dat tot overlijden of ernstig letsel kan leiden indien dit gevaar niet wordt vermeden.



**WAARSCHUWING**

#### Waarschuwing

Deze term definieert een gevaar dat een risico kan vormen voor het apparaat en de werking ervan indien er geen rekening wordt gehouden met dit gevaar



#### Gevarenzone

Dit symbool staat, in combinatie met een trefwoord, voor gevaren die kunnen leiden tot de dood of ernstig letsel.





### **Gevaarlijke elektrische spanning**

Dit symbool staat, in combinatie met een trefwoord, voor gevaren die gerelateerd zijn aan elektrische spanning en geeft informatie over de bescherming tegen elektrische spanning.

LET OP



### **Materiële schade**

Dit symbool staat, in combinatie met een trefwoord, voor **LET OP**, gevaarlijk voor het apparaat.

Direct aan de machine aangebrachte aanwijzingen zoals bv. draairichtingspijl, kenteken van vloeistofaansluitingen moeten absoluut gevolgd en in volledig leesbare toestand worden gehouden.

## **1.2 Personeelscompetenties en scholing**

Het personeel voor bediening, onderhoud, inspectie en montage moet de overeenkomstige kwalificaties voor deze werken hebben. Verantwoordelijkheidsbereik, bevoegdheid en de controle van personeel moeten door de operator precies geregeld zijn. Is bij het personeel niet de nodige kennis voorhanden, dan moet dit geschoold en opgeleid worden. Dit kan, indien vereist, in opdracht van de bediener van de machine door de fabricant/leverancier gebeuren. Verder moet door de bediener verzekerd worden, dat de inhoud van de gebruikshandleiding door het personeel volledig verstaan wordt.

## **1.3 Gevaren bij niet beachten van de veiligheidsinstructies**

Niet in acht nemen van de veiligheidsinstructies kan zowel tot gevaar voor personen alsook voor milieu en machine leiden. Het niet in acht nemen van veiligheidsinstructies kan leiden tot het verlies van eventuele schadeclaims.

In bepaalde gevallen kan niet in acht nemen bij voorbeeld volgende gevaren creëren:

- Uitvallen van belangrijke machine/toestel functies
- Falen van voorgeschreven methodes voor onderhoud en instandhouding
- In gevaar brengen van personen door elektrische, mechanische en chemische inwerkingen
- In gevaar brengen van milieu door lekkage van gevaarlijke stoffen.

## **1.4 Veiligheidsbewust werken**

De veiligheidsinstructies die in deze gebruikshandleiding zijn opgelijst, de bestaande nationale voorschriften voor het vermijden van ongevallen alsook eventuele interne werk-, werkings- en veiligheidsvoorschriften van de operator moeten in acht genomen worden.

## **1.5 Veiligheidsinstructies voor de eigenaar/bediener**

- Leiden warme of koude machineonderdelen tot gevaar, dan moeten deze onderdelen op de bouwwerf tegen aanraken beveiligd zijn.
- Contactbescherming voor delen die bewegen (bv. koppeling) mag bij een werkende machine niet verwijderd worden.
- Lekkages (bv. van de asdichting) van gevaarlijke transportgoederen (bv. explosief, giftig, warm) moeten zo afgevoerd worden, dat geen gevaar voor personen en milieu ontstaat. Wettelijke bepalingen moeten ingehouden worden.
- Gevaren door elektrische energie zijn uit te sluiten (details hiervoor zie bv. in de voorschriften van de VDE en van de plaatselijke energiebevoorradingsbedrijven).

## **1.6 Veiligheidsinstructies voor onderhouds-, inspectie- en montagewerken**

De eigenaar moet ervoor zorgen, dat alle onderhouds-, inspectie- en montage werken door geautoriseerd en gekwalificeerd vakpersoneel uitgevoerd worden, dat zich door uitvoerige studie van de gebruiksaanwijzing voldoende heeft geïnformeerd.

In principe zijn werken aan de machine enkel in stilstand uit te voeren. De in de gebruikshandleiding beschreven manier voor het stilzetten van de machine moet absoluut aangehouden worden.

Pompen of pomptoeestellen, die middelen vervoeren die schadelijk zijn voor de gezondheid, moeten ontsmet worden. Onmiddellijk na beëindigen van de werken moeten alle veiligheids- en beschermingsinstallaties terug aangebracht resp. in functie gesteld worden

Voor de (her)inbedrijfstelling moeten de opgelijste punten in het hoofdstuk inbedrijfstelling in acht genomen worden.

### **1.7 Eigen ombouw en fabricage van wisselstukken**

Ombouw of veranderingen aan de machine zijn enkel na afspraak met de fabricant toegelaten. Originele wisselstukken en door de fabricant toegelaten toebehoren dragen bij tot de veiligheid. Gebruik van andere onderdelen kan de aansprakelijkheid voor de daaruit ontstaande gevolgen wegnemen.

### **1.8 Ontoelaatbare werkwijzen**

De bedrijfsveiligheid van de geleverde machine is enkel bij doelgericht gebruik conform hoofdstuk 2 – *Algemeen* van de gebruikshandleiding gegarandeerd. De grenswaarden die aangegeven zijn in het bestek mogen in geen geval overschreden worden.

## **2. ALGEMEEN**

### **2.1 Aansluitingen**

Deze gebruikshandleiding is geldig voor het geprefabriceerde pompstation SANIFOS®.

**Bij niet inachtneming van de gebruikshandleiding – speciaal de veiligheidsaanwijzingen alsook bij zelf ombouwen van het toestel of bij de inbouw van niet-originele wisselstukken vervalt automatisch de garantieaanspraak. Voor hieruit resulterende schade neemt de fabricant geen aansprakelijkheid op zich!**

### **Bouwgroottes:**

SANIFOS® -schachtinstallaties voor enkele of dubbele installatie

Er kunnen pompen met een drukuitlaat van 2" en een capaciteit tot ongeveer 4 kW worden gebruikt.

### **2.2 Aanvragen en bestellingen**

Voor aanvragen en bestellingen richt u zich best tot uw vakhandelaar.

### **2.3 Technische gegevens**

<b>Vrije breedte</b>	1000 mm
<b>Buitendiameter ca.</b>	1100 mm

## Schachthoogten:

	Hoogte basislichaam	Hoogte met opzetstuk en BEGU-afdekking Klasse A	Hoogte met opzetstuk en BEGU-afdekking Klasse B	Hoogte met opzetstuk en BEGU-afdekking Klasse D
H2	1600	1730-1960	1775-2005	1810-2040
H3	2100	2230-2460	2275-2505	2310-2540
H5	3100	3230-3460	3275-3505	3310-3540

Kenmerken	
Opening van de schachtafdekking	Ø 625 mm
Gewicht	60 à 90 kg (zonder ingebouwde onderdelen)
Toevoer	geschikt voor PVC DN 150
Toevoerdiepte	675 mm (middenbuis) vanaf de onderrand tot de schachtbodem
Drukaansluiting	PE HD DN 50 Øuit.= 63 mm
Drukaansluitingsdiepte	675 mm (middenbuis) vanaf de onderrand tot de schachtbodem
Opslagvolumes	ca. 400 l
Schakelvolumes	minstens 150 l
Ontluchting/kabelgoot	2 x PVC DN 100
Diepte van de aansluiting	1175 mm (middenbuis) vanaf de onderrand tot de schachtbodem
Maximale mediumtemperatuur	60 °C

**De schacht is drijvend tot een grondwaterstand van 1,2 m vanaf de onderkant van de schacht !**

## Materialen

<b>Schacht</b>	PE
<b>Koppelsysteem</b>	Gietijzer GG 20
<b>Schuifafsluiter</b>	Messing
<b>Drukleiding</b>	PE
<b>Terugslagklep</b>	GG 25

## 2.4 Toepassing

De pompstations van de serie SANIFOS® worden gebruikt voor de afvoer (inzameling en transport) van huishoudelijk en industrieel vuilwater en afvalwater, dat plaatsvindt onder het terugspoelniveau van het riool. Ze worden buiten gebouwen gebruikt.

## 2.5 Levering

Het geprefabriceerde pompstation SANIFOS® wordt compleet geleverd met:

- schroefloos koppelsysteem
- schuifafsluiter DN 50
- terugslagklep DN 50
- complete drukleiding met schroefverbindingen
- spoelaansluiting voorbereid, afgesloten met blinde pluggen
- dompelpomp\* DN 50 (zie afzonderlijke gebruiksaanwijzing)
- pneumatische niveauregeling/vlotterschakelaar\* (zie afzonderlijke gebruiksaanwijzing)
- variabele bevestiging met lipafdichting
- BEGU - Schachtafdekking\* Klasse A,B of D.

\* optioneel leverbaar

## 3. TRANSPORT EN TUSSENOPSLAG

### 3.1 Transport

De geprefabriceerde pompstations van de SANIFOS®-serie mogen niet worden gegooid of worden laten gevallen. Bovendien moeten ze verticaal worden getransporteerd (behalve SANIFOS® 3100).

### 3.2 Tussenopslag / bewaring

Voor tussenopslag en bewaring is het voldoende om op te slaan op een koele, donkere, droge en vorstbestendige plaats. Het systeem moet verticaal blijven.

## 4. BESCHRIJVING

### 4.1 Algemeen

Het pompstation is volledig geassembleerd, zodat alleen de pomp moet worden gemonteerd en de aansluitingen (inlaat, drukleiding, ventilatiekanaal, niveauregeling en voeding) moeten worden gemaakt.

### 4.2 Opbouw en werkwijze

Op de schachtbodem is een koppelingssysteem gemonteerd waarop de pomp zonder schroeven is gemonteerd. Om de pomp te geleiden tijdens het ophangen bestaat er een geleidebuis, die in de hals van de schacht op een dwarsbalk is gemonteerd. De pomp kan met behulp van een bevestigde ketting volledig uit de schacht worden getild zonder eerst de schroefverbindingen in de schacht los te maken. Om te heffen, afhankelijk van de grootte van de pomp, is een takel nodig. Na een lange bedrijfsperiode kan de pomp vast komen te zitten aan de koppelingsbasis. Om de pomp los te maken, draait u de ketting licht vast en wiebel de ketting totdat de pomp loskomt van de koppelingsvoet. Dan kan de pomp eenvoudig worden uitgetrokken. Teveel krachten op de ketting moeten worden vermeden om schade aan de kunststof schacht te voorkomen. Dit maakt onderhouds- of reparatiewerkzaamheden aan de pomp buiten de schacht mogelijk. Om te voorkomen dat vuilwater uit de drukleiding terug stroomt bij werkzaamheden aan de terugslagklep, dient een schuifafsluiter te worden gemonteerd in de drukleiding vóór de terugslagklep.

## 5. INSTALLATIE

### 5.1 Uitgraven

De uitgraving moet worden gemaakt in overeenstemming met de voorschriften van de beroepsvereniging (hellingshoek, mogelijk schoring, enz.)

### 5.2 Inbrengen van de schacht

Voordat de schacht wordt ingebracht, moet de uitgraving met ca. 30 cm grind en 5 cm steenslag worden ingegoten en verdicht, zodat een horizontaal draagvlak ontstaat. Plaats en lijn vervolgens de PE-schacht in de uitgraving. Vul nu met ongeveer 30 cm ophoogzand en aandrukken.



**Controleer of de schacht nog in balans iso.**

### 5.3 Aansluiten van de schacht

#### Toevoer

Er is een inlaatbus DN 150 met lipafdichting in de schacht. Hierin wordt de toevoerleiding (buis DN 150) ongeveer 1 cm ingestoken. Van te voren smeermiddel of vet aanbrengen aan de binnenkant van de afdichting. De maximale afwijking van de schacht van de inlaat mag niet meer dan 3° bedragen. Verdere toevoeren zijn mogelijk als een optie.

#### Drukleiding

De drukleiding eindigt ongeveer 180 mm buiten de schacht met een buisvoet PE HD 63x5,8. De drukleiding moet een PE HD-buis 63x5,8 zijn. De verbinding met de buismof die op de schacht aanwezig is, kan b.v. gedaan worden met behulp van in de handel verkrijgbare knelkoppelingen.

#### Ontluchting / kabeldoorvoer

Er zijn 2 moffen met lipafdichting DN 100 voor ontluchting / kabeldoorvoer. De ventilatiebuis (buis DN 100) wordt in de mof gestoken (zie Toevoer). Om geurhinder te voorkomen, raden wij aan de ontluchtingsleiding over het dak te leiden. De kabelgoot (buis DN 100) wordt in de andere mof gestoken en loopt door naar de schakelinrichting. De buis moet worden gesloten aan de uitlaat in de schakelkast of het gebouw (bijvoorbeeld door een dummy afdekking met kabelwartels). Als een buisverbinding niet vereist is, moet deze worden afgesloten met een in de handel verkrijgbare blinde afdekking.

#### Elektrische aansluiting

De pompkabel en de pneumatische slang/ vlotterschakelaar kabels worden in de kabelgoot naar de schakelinrichting geleid.

Voor de elektrische aansluiting zijn de bedieningsinstructies van de pomp en het schakelschema van de pompbesturing van toepassing.

### LET OP



**Het uitschakelpunt en de nalooptijd moeten zodanig worden ingesteld dat het pompproces is voltooid voordat de pomp aan het oppervlak komt, maar de pitotbuis reeds volledig vrij is. De pneumatische slang moet gestaag en zonder lussen naar de schakelapparatuur lopen. De max. lengte mag maximaal 20 m zijn.**

### 5.4 De uitgraving opvullen

Vul vóór het vullen van de uitgraving de lipafdichting voor het bovendee in de schacht en plaats het bovendee en pas het aan op het maaiveld met behulp van de mangatdeksel BEGU.

## LET OP



Houd er rekening mee dat de druktest van de drukleiding niet tegen de gesloten schuif in de pompschacht mag worden uitgevoerd. Als alle leidingen zijn aangesloten en op lekken zijn getest, kan de uitgraving worden gevuld.

Voor het opvullen van de uitgraving moet zand of grindzand worden gebruikt volgens de voorschriften.

## WAARSCHUWING



Gebruik grindzand alleen tot een korrelgrootte van 32 mm, voor zover de uitgravingsgrond niet met de korrelgroep 0 - max 32 mm overeenkomt. Compacte aarde, keien, rotsen en scherpe korrels mogen niet worden gebruikt!

Het vulmateriaal moet in laagdikten van maximaal 30 cm worden aangebracht en gelijkmatig worden gecompacteerd. Met een verlaging van het grondwater van de uitgraving, kan het aggregaat worden verdicht door toevoeging van water terwijl tegelijkertijd het daalsysteem wordt bediend.

## WAARSCHUWING



**Gebruik geen compact vulmateriaal !**

Om bescherming tegen drijfvermogen in de grondsoort klei te waarborgen, moet de schacht van buitenaf met zand, klei of beton worden gevuld. Om vervorming van de PE-schacht te voorkomen, moet eenzijdig hoge vulling ten koste van alles worden vermeden.

Pas na de laatste voltooiing van de schacht, inclusief het vullen en verdichten van de uitgraving, mag het eventueel gebruikte grondwaterverlagende systeem worden uitgeschakeld.

**Het uitstekende deel van het bovenstuk moet goed gevuld en gecompacteerd zijn.**

Om een veilige werking van het systeem te garanderen, is het noodzakelijk dat de schacht na het vullen nog steeds in een horizontale positie is uitgelijnd.

**Let bij het gebruik van een putdeksel van klasse D op de opmerkingen in de bijlage.**

## 6. INBEDRIJFSTELLING

Voorafgaand aan de inbedrijfstelling moeten alle verbindingen opnieuw worden gecontroleerd op correcte installatie en dichtheid: de schuifafsluiter moet open staan.

Om de pomp in bedrijf te stellen, dient u de afzonderlijke bedieningsinstructies voor de pompen en de schakelapparatuur te lezen.

## 7. ONDERHOUD



**GEVAAR**



**Voordat er aan het systeem wordt gewerkt, moet het worden losgekoppeld van het elektriciteitsnet !**

Onderhoud omvat regelmatige visuele inspectie van het volledige systeem. Tijdens dit proces worden sommige schakelcycli van de pomp waargenomen en worden alle pijplijnonderdelen en fittingen gecontroleerd op werking en dichtheid. De onderhoudsinstructies van de pompen zijn te vinden in de bedieningsinstructies. Na onderhoud kan de onderhoudsintervalweergave van de controller worden gereset. Onderhoud mag alleen worden uitgevoerd door geautoriseerde gespecialiseerde bedrijven.

## 8. STORINGEN: OORZAKEN EN VERHELPEN



**GEVAAR**



**Voordat er aan het systeem wordt gewerkt, moet het worden losgekoppeld van het elektriciteitsnet !**

Als de pomp(en) defect is (zijn), lees dan de bedieningsinstructies. In het geval van lekken in de leidingen of uitval van de fittingen, kunnen de overeenkomstige onderdelen eenvoudig worden vervangen (vervanging).

## 9. GARANTIE

Als fabrikant gaan we uit van een garantie van 24 maanden vanaf de aankoopdatum voor dit product.

Als bewijs geldt uw aankoopfactuur. Binnen deze garantietermijn zullen we eventuele gebreken als gevolg van materiaal- of fabricagefouten gratis repareren of vervangen.

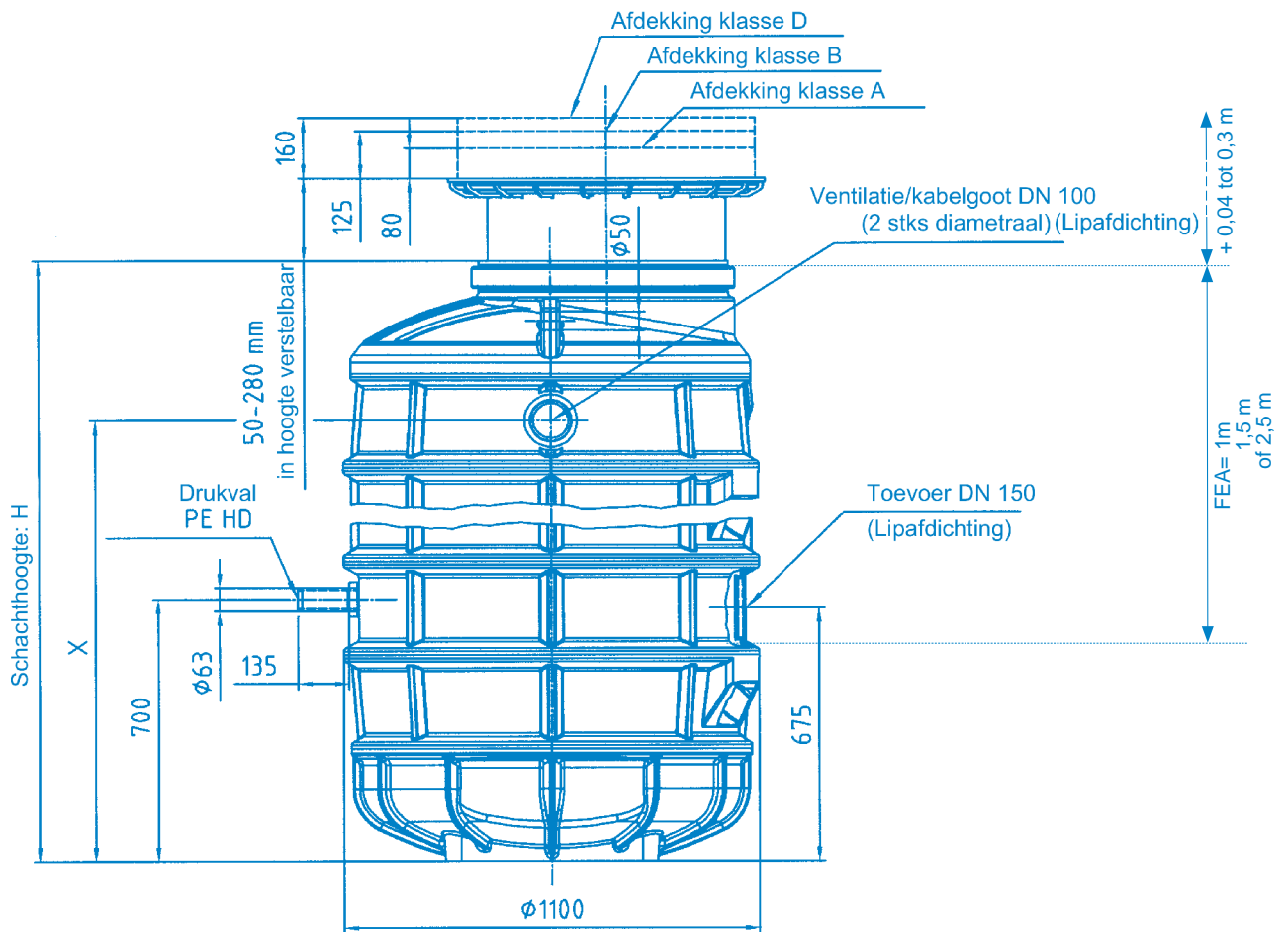
De garantie dekt geen schade veroorzaakt door onjuist gebruik en slijtage. Gevolgschade door falen van het apparaat wordt door ons niet geaccepteerd.

Neem in geval van garantie contact op met uw vakhandelaar.

## 10. TECHNISCHE WIJZIGINGEN

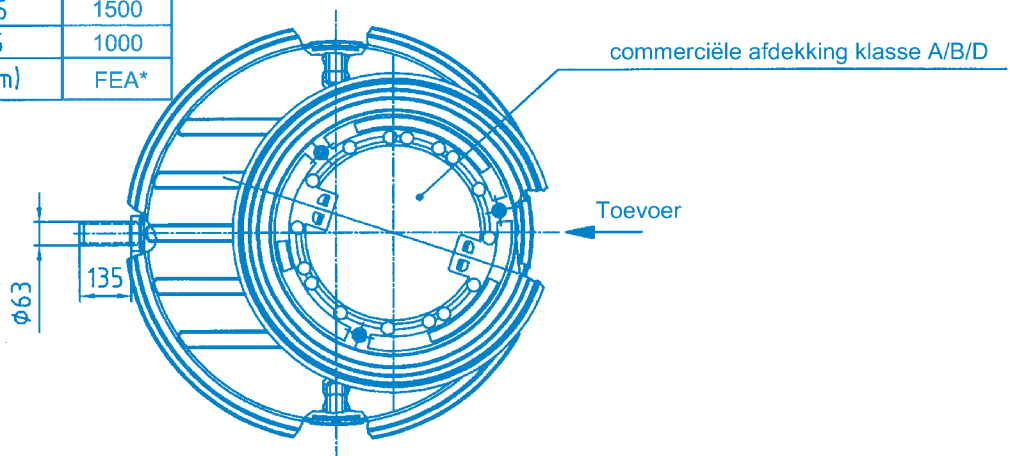
We behouden ons het recht voor technische wijzigingen aan te brengen in het belang van verdere ontwikkeling.

# Bijlage A : Hoofdafmetingen



3100	2675	2500
2100	1675	1500
1600	1175	1000
Schachthoogte: H	X (mm)	FEA*

\* Debiet toevoerwater (FEA),  
zonder opzetstuk



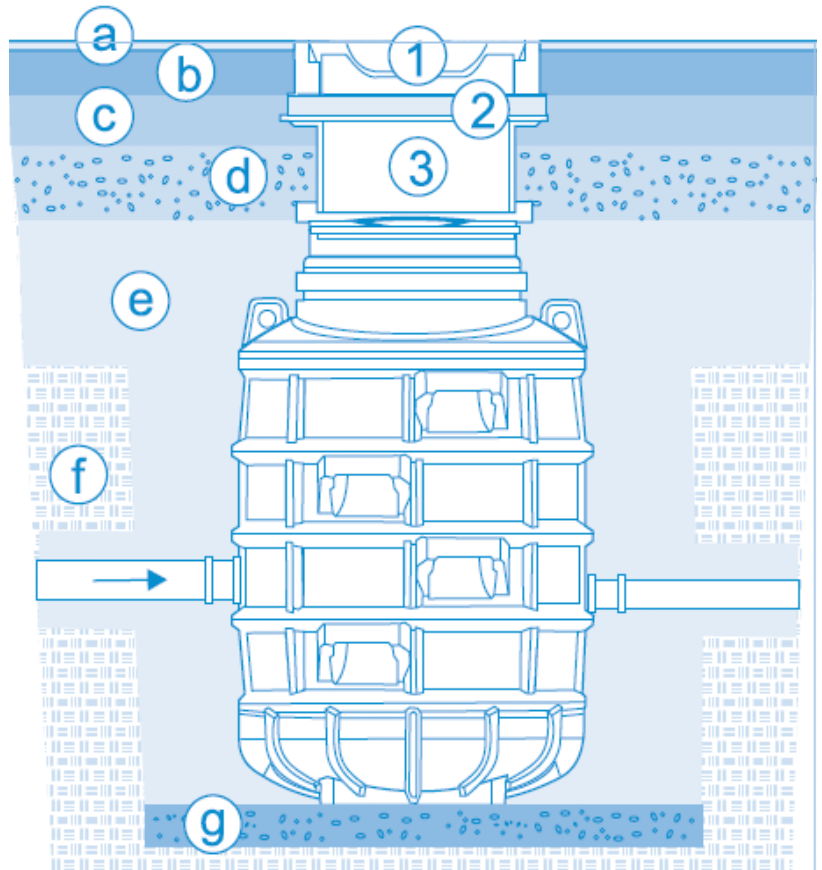


## Bijlage B : Installatieaanbeveling voor putdekselklasse D

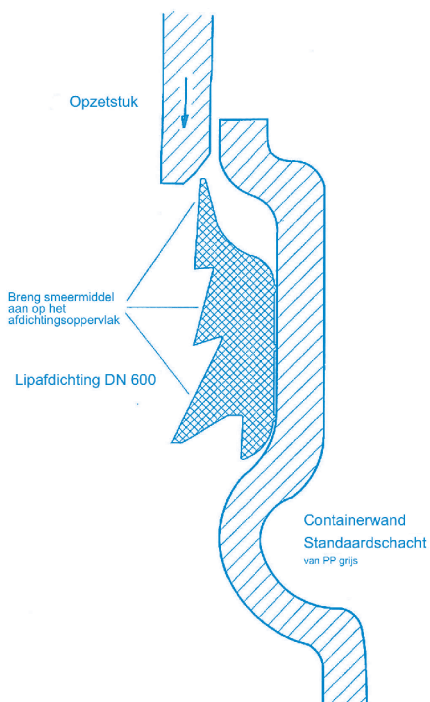
Installatievoorstel volgens de standaard wegebouw.

- ① In de handel verkrijgbare BEGU – Afdekking klasse D
- ② In de handel verkrijgbare betonnen ringen voor hoogtecompensatie
- ③ Opzetstuk van kunststof, in hoogte verstelbaar van 40 - max. 300 mm

- a Slijtlaag ca. 3 cm
- b Bitumineuze basislaag ca. 8-12cm
- c Hygienelaag ca. 10 cm
- d Gruis ca. 20 cm
- e Antivries grind ca. 25-30 cm
- f Grond
- g Grit



### Locatie van de lipafdichting voor het opzetstuk :



#### LET OP



De installatie, montage, bediening en onderhoud mogen alleen door een gespecialiseerd bedrijf worden uitgevoerd. Richtlijnen en veiligheidsvoorschriften moeten in acht worden genomena.

<b>1. SEGURIDAD</b>	<b>pág.59</b>
1.1 Identificación de las indicaciones en el manual de instrucciones	pág.59
1.2 Cualificación del personal y formación	pág.60
1.3 Riesgos en caso de incumplimiento de las indicaciones de seguridad	pág.60
1.4 Trabajar de forma segura	pág.60
1.5 Indicaciones de seguridad para el operador / operario	pág.60
1.6 Indicaciones de seguridad durante los trabajos de mantenimiento, inspección e instalación	pág.61
1.7 Transformaciones no autorizadas y fabricación de piezas de recambio	pág.61
1.8 Modos de funcionamiento no autorizados	pág.61
<b>2. GENERALIDADES</b>	<b>pág. 61</b>
2.1 Descripción	pág.61
2.2 Consultas y pedidos	pág.61
2.3 Datos técnicos	pág.61
2.4 Ámbito de aplicación	pág.62
2.5 Volumen de suministro	pág.62
<b>3. TRANSPORTE Y ALMACENAMIENTO TEMPORAL</b>	<b>pág. 63</b>
3.1 Transporte	pág.63
3.2 Almacenamiento temporal/conservación	pág.63
<b>4. DESCRIPCIÓN</b>	<b>pág. 63</b>
4.1 Generalidades	pág.63
4.2 Estructura y funcionamiento	pág.63
<b>5. INSTALACIÓN</b>	<b>pág. 63</b>
5.1 Construcción del foso de excavación	pág.63
5.2 Colocación de la arqueta	pág.63
5.3 Conexión de la arqueta	pág.64
5.4 Llenado de la arqueta	pág.64
<b>6. PUESTA EN SERVICIO</b>	<b>pág. 65</b>
<b>7. MANTENIMIENTO</b>	<b>pág. 66</b>
<b>8. AVERÍAS: CAUSAS Y SUBSANACIÓN</b>	<b>pág. 66</b>
<b>9. GARANTÍA</b>	<b>pág. 66</b>
<b>10. MODIFICACIONES TÉCNICAS</b>	<b>pág. 66</b>
Anexo A : Dimensiones principales	pág.67
Anexo B : Propuesta de instalación de la tapa de la arqueta clase D.	pág.68

# 1. SEGURIDAD

## ATENCIÓN

Este aparato puede utilizarse por niños de 8 años como mínimo y por personas con capacidades físicas, sensoriales o mentales reducidas o con falta de experiencia o conocimientos, siempre que se encuentren bajo vigilancia o si se les proporcionan las instrucciones relativas para el uso seguro del electrodoméstico y son conscientes de los riesgos a los que se exponen. Los niños no deben jugar con el aparato. Los niños sin vigilancia no deben encargarse de la limpieza ni del mantenimiento que debe realizar el usuario.

## CONEXIÓN ELÉCTRICA:

La instalación eléctrica debe realizarse por un profesional cualificado en electrotécnica. El circuito de alimentación del aparato debe conectarse a tierra (clase I) y protegerse con un diferencial de alta sensibilidad (30 mA). Los aparatos sin conectores deben conectarse a un interruptor principal de la alimentación eléctrica que garantice la desconexión de todos los polos (distancia de separación de los contactos de 3 mm como mínimo). La conexión debe servir exclusivamente para la alimentación del aparato.

Si el cable de alimentación está dañado, debe reemplazarlo el fabricante, su servicio posventa o personas de similar cualificación para evitar cualquier peligro.

Este manual de instrucciones contiene información básica que se debe tener en cuenta durante el montaje, funcionamiento y mantenimiento. Por lo tanto, el instalador y el personal especializado/operador responsables deberán leer antes de la instalación y la puesta en servicio este manual de instrucciones que deberá estar siempre disponible en el lugar de instalación de la máquina/unidad.

No sólo deben tenerse en cuenta las indicaciones generales de seguridad enumeradas en este punto principal "Seguridad", sino también las indicaciones especiales de seguridad insertadas en otros puntos principales, p. ej., para uso privado.

### 1.1 Identificación de las indicaciones en el manual de instrucciones



#### **Peligro**

Este término define un peligro de alto riesgo que, si no se evita, puede provocar la muerte o heridas graves.



#### **Advertencia**

Este término define un peligro que, si no se tiene en cuenta, puede provocar un riesgo para la máquina y su funcionamiento.



#### **Zona peligrosa**

Este símbolo identifica peligros, en combinación con una palabra clave, que pueden provocar la muerte o heridas.



### **Tensión eléctrica peligrosa**

Este símbolo identifica peligros, en combinación con una palabra clave, inherentes a la tensión eléctrica y da información sobre la protección contra la tensión eléctrica.

**ATENCIÓN**



### **Daños materiales**

Este símbolo identifica peligro, en combinación con la palabra clave **ATENCIÓN**, para la máquina.

Las indicaciones que se encuentran en la máquina, como p. ej. flecha de sentido de rotación, marcado de las conexiones de los fluidos deben ser tenidas en cuenta y conservadas para que sean totalmente legibles.

## **1.2 Cualificación del personal y formación**

El personal encargado del manejo, mantenimiento, inspección e instalación debe poseer la cualificación correspondiente para llevar a cabo estos trabajos. El ámbito de responsabilidad, las competencias y la supervisión del personal deben ser reguladas con precisión por el operador. Si el personal no tuviese los conocimientos necesarios, deberá ser formado e instruido. En caso de que sea necesario, podrá ser llevado a cabo por el fabricante/proveedor en nombre del operador de la máquina. Además, el operador debe asegurarse de que el personal entienda completamente el contenido del manual de instrucciones.

## **1.3 Riesgos en caso de incumplimiento de las indicaciones de seguridad**

El incumplimiento de las indicaciones de seguridad puede poner en peligro a las personas, al medioambiente y a la máquina. El incumplimiento de las indicaciones de seguridad puede conllevar la pérdida de cualquier indemnización por daños y perjuicios.

En concreto, la inobservancia puede provocar, por ejemplo, los siguientes peligros:

- Fallo de funciones esenciales de la máquina/unidad
- Fallo de métodos prescritos para llevar a cabo el mantenimiento y conservación
- Peligro a las personas como consecuencia de influencias eléctricas, mecánicas y químicas
- Peligro para el medioambiente por fuga de sustancias peligrosas.

## **1.4 Trabajar de forma segura**

Deben observarse las indicaciones de seguridad enumeradas en el presente manual de instrucciones, las prescripciones nacionales en materia de prevención de accidentes y todas las normas internas de trabajo, funcionamiento y de seguridad del operador.

## **1.5 Indicaciones de seguridad para el operador / operario**

- Si los componentes calientes o fríos de la máquina pudiesen entrañar peligros, estos componentes deberán ser asegurados por el cliente contra contactos.
- La protección contra contactos de los componentes móviles (p. ej., acoplamiento) no debe ser retirada en caso de que la máquina se encuentre en funcionamiento.
- Las fugas (p. ej., de la junta del eje) de materiales bombeados peligrosos (p. ej., explosivos, tóxicos, calientes) deben eliminarse de modo que no se cree peligro para las personas y el medioambiente. Deben respetarse las disposiciones legales.
- Deben excluirse los riesgos causados por la energía eléctrica (para más detalles, consulte, p. ej., en las normas de la VDE y de las empresas locales de suministro de energía).

## 1.6 Indicaciones de seguridad durante los trabajos de mantenimiento, inspección e instalación

El operador deberá asegurarse de que todos los trabajos de mantenimiento, de inspección y de instalación sean llevados a cabo por personal especializado, autorizado y cualificado que haya obtenido suficiente información mediante el concienzudo estudio del manual de instrucciones.

En principio, los trabajos en la máquina sólo deben realizarse con la máquina parada. Se debe respetar estrictamente el procedimiento descrito en el manual de instrucciones para parar la máquina.

Deberán descontaminarse las bombas o grupos de bombas que bombeen medios peligrosos para la salud. Inmediatamente después de terminar los trabajos se deben volver a instalar los dispositivos de seguridad y de protección o volver a ponerlos a funcionamiento.

Antes de volver a poner la máquina en servicio, se deben tener en cuenta los puntos indicados en la sección Puesta en servicio.

## 1.7 Transformaciones no autorizadas y fabricación de piezas de recambio

La máquina sólo podrá ser transformada o modificada previa consulta con el fabricante. Las piezas de recambio originales y accesorios autorizados por el fabricante sirven para fines de seguridad. El uso de otros componentes puede invalidar la responsabilidad por las consecuencias resultantes.

## 1.8 Modos de funcionamiento no autorizados

La seguridad de funcionamiento de la máquina suministrada sólo quedará garantizada si se utiliza con arreglo al uso previsto descrito en la sección 2 - *Generalidades* del manual de instrucciones. Los valores límite especificados en la hoja de datos no deben superarse en ningún caso.

# 2. GENERALIDADES

## 2.1 Descripción

Este manual de instrucciones es válido para la estación de bombeo prefabricada SANIFOS®.

**El incumplimiento del manual de instrucciones, especialmente las indicaciones de seguridad, y la transformación no autorizada del dispositivo o la instalación de piezas de recambio no originales anularán automáticamente la garantía. ¡El fabricante no se hará responsable de los daños que se deriven de ello!**

### Tamaños constructivos:

Arqueta incorporada SANIFOS® para instalaciones simples y dobles.

Se pueden instalar dos bombas con una salida de descarga de 2" y una potencia de 4 kW.

## 2.2 Consultas y pedidos

Para realizar consultas y pedidos póngase en contacto con su distribuidor.

## 2.3 Datos técnicos

<b>Diámetro interior</b>	1000 mm
<b>Diámetro máx. exterior aprox.</b>	1100 mm

## Alturas de las arquetas:

	Altura cuerpo principal	Altura con sección superior y tapa BEGU Clase A	Altura con sección superior y tapa BEGU Clase B	Altura con sección superior y tapa BEGU Clase D
H2	1600	1730-1960	1775-2005	1810-2040
H3	2100	2230-2460	2275-2505	2310-2540
H5	3100	3230-3460	3275-3505	3310-3540

## Kenmerken

Apertura de la tapa de la arqueta	Ø 625 mm
Peso	60 à 90 kg (sin piezas de montaje)
Conexión de entrada	adecuada para PVC DN 150
Profundidad de la conexión de entrada	675 mm (tubo centrale) dal fondo del pozzo
Conexión de descarga	PE HD DN 50 Øext.= 63 mm
Profundidad de la conexión de descarga	675 mm (tubo centrale) dal fondo del pozzo
Volumen de remanso	aprox. 400 l
Volumen de conmutación	al menos 150 l
Tubo de ventilación/conducto para cables	2 x PVC DN 100
Profundidad de la conexión	1175 mm (tubo centrale) dal fondo del pozzo
Temperatura máxima del fluido	60 °C

**¡La arqueta es resistente a la fuerza ascensional hasta un nivel freático de 1,2 m desde el borde inferior de la arqueta!**

## Materiales

<b>Arqueta</b>	PE
<b>Sistema de acoplamiento</b>	Hierro fundido GG 20
<b>Corredera de cierre</b>	Latón
<b>Línea de presión</b>	PE
<b>Válvula de retención</b>	GG 25

## 2.4 Ámbito de aplicación

Las estaciones de bombeo de la serie SANIFOS® sirven para el tratamiento (recogida y transporte) de aguas sucias y residuales domésticas e industriales que se acumulan por debajo del nivel de reflujos del alcantarillado. Se instalan en el exterior de los edificios.

## 2.5 Volumen de suministro

La estación de bombeo prefabricada SANIFOS® se suministra completa con:

- Sistema de acoplamiento sin tornillos
- Corredera de cierre DN 50
- Válvula de retención DN 50
- Línea de descarga completa con uniones roscadas
- Conexión de purga preparada, sellada con tapones ciegos
- Motobomba(s) sumergible(s)\* DN 50 (consulte el manual de instrucciones separado)
- Control neumático de nivel/interruptor flotador\* (consulte el manual de instrucciones separado)
- Sección superior variable con junta labial
- Tapa de arqueta\* BEGU clase A, B o D.

*\* disponible como opción*

## **3. TRANSPORTE Y ALMACENAMIENTO TEMPORAL**

### **3.1 Transporte**

Las estaciones de bombeo prefabricadas de la serie SANIFOS® no se deben tirar ni dejar caer. También se deben transportar verticalmente (excepto SANIFOS® 3100).

### **3.2 Almacenamiento temporal/conservación**

Para almacenar temporalmente y conservar la máquina es suficiente con almacenarla en un recinto fresco, oscuro, seco y a prueba de heladas. La unidad debe colocarse verticalmente.

## **4. DESCRIPCIÓN**

### **4.1 Generalidades**

La estación de bombeo está completamente montada de modo que sólo hay que conectar la bomba y realizar las conexiones (conexión de entrada, tubo de descarga, tubo de ventilación, control de nivel y suministro de corriente).

### **4.2 Estructura y funcionamiento**

En el fondo de la arqueta hay montado un sistema de acoplamiento al que se conecta la bomba sin tornillos. Para guiar la bomba durante la conexión hay un tubo guía fijado a un travesaño en el cono de registro. La bomba se puede extraer completamente de la arqueta con ayuda de una cadena acoplada y sin haber aflojado previamente las conexiones roscadas de la arqueta. Dependiendo del tamaño de la bomba, para extraerla puede ser necesario un equipo elevador. Después de un largo período de funcionamiento, la bomba puede adherirse a la base del acoplamiento. Para liberar la bomba, se debe sujetar ligeramente la cadena y se debe sacudir la cadena hasta que la bomba se libere de la base del acoplamiento. A continuación, la bomba puede extraerse fácilmente. Se deben evitar las fuerzas de tracción excesivas en la cadena para evitar que se produzcan daños en la arqueta de plástico. Esto permite realizar trabajos de mantenimiento y de reparación en la bomba fuera de la arqueta. Para evitar que la columna de agua de la línea de presión vuelva a fluir durante los trabajos de mantenimiento o de reparación de la válvula de retención esférica, se monta una corredera de cierre en la línea de presión antes de la válvula de retención.

## **5. INSTALACIÓN**

### **5.1 Construcción del foso de excavación**

El foso de excavación debe realizarse teniendo en cuenta las normas de la asociación profesional (ángulo de inclinación, posible apuntalamiento, etc.)

### **5.2 Colocación de la arqueta**

Antes de colocar la arqueta, el foso de excavación debe recubrirse y compactarse con aprox. 30 cm de grava y 5 cm de gravilla de modo que se forme una superficie de apoyo horizontal. A continuación, se debe insertar y alinear la arqueta de PE en el foso de excavación. Por último, rellene y compacte con aprox. 30 cm de arena de relleno.

## ADVERTENCIA



**Compruebe si la arqueta está aún nivelada.**

### 5.3 Conexión de la arqueta

#### Conexión de entrada

En la arqueta hay un manguito de la conexión de entrada DN 150 con junta labial. El conducto de la conexión de entrada (tubo DN 150) se inserta en él aprox. 1 cm. Previamente, se debe aplicar lubricante o grasa en la parte interna de la junta. La desviación máxima del eje de la conexión de entrada no debe ser superior a 3°. Otras conexiones de entrada se encuentran disponibles como opción.

#### Línea de descarga

El conducto de la línea de descarga termina aprox. 180 mm fuera de la arqueta con un adaptador de tubo PE HD 63x5,8. La línea de presión debe ser un tubo PE HD 63x5,8. La conexión con el adaptador de tubo que hay en la arqueta se puede realizar, p. ej., con racores de apriete convencionales.

#### Tubo de ventilación/conducción de cables

Hay 2 manguitos con junta labial DN 100 para el tubo de ventilación/conducción de cables. El tubo de ventilación (tubo DN 100) se inserta en el manguito (consulte conexión de entrada). Para evitar olores desagradables, se recomienda conducir el tubo de ventilación por encima del techo. El conducto de cables (tubo DN 100) se inserta en el manguito (consulte conexión de entrada) y se conduce hasta la unidad de conmutación. El tubo se debe sellar en la salida del armario de distribución o del edificio (p. ej., mediante una tapa ciega con prensaestopas). Si no se requiere conectar el tubo, éste se deberá sellar con una tapa ciega convencional.

#### Conexión eléctrica

El cable de la bomba y la manguera neumática/cables de interruptor flotador son conducidos por el conducto de cables hasta la unidad de conmutación.

Para la conexión eléctrica se aplica el manual de instrucciones de la bomba y el esquema eléctrico del control de la bomba.

## ATENCIÓN



**El punto de desconexión y el tiempo de marcha en inercia se deben ajustar de modo que el proceso de bombeo finalice antes de que sobresalga la carcasa de la bomba. No obstante, el tubo de remanso ya habrá emergido completamente. La manguera neumática deberá ser conducida a la unidad de conmutación siempre con una inclinación ascendente y sin bucles. La longitud máxima no debe superar los 20 m.**

### 5.4 Llenado del foso de excavación

Antes de llenar el foso de excavación, se debe introducir la junta labial para la sección superior en la arqueta e instalar la sección superior y adaptarla a la altura del terreno con la tapa de la arqueta BEGU .



## ATENCIÓN



Tenga en cuenta que la prueba de la línea de descarga no debe realizarse en la arqueta de la bomba contra la corredera cerrada. Una vez que se hayan conectado todos los conductos y se haya comprobado si presentan fugas, se puede llenar el foso de excavación.

Para llenar el foso de excavación, se debe utilizar arena de relleno o arena de grava con arreglo a la normativa.

## ADVERTENCIA



Utilice sólo arena de grava con un tamaño de grano de hasta 32 mm si el suelo de la arqueta no corresponde al grupo granulométrico 0 (máx. 32 mm). ¡No se deben utilizar terrenos cohesivos, escombros, rocas y granos afilados!

El material de relleno se debe aplicar en capas de máx. 30 cm de espesor y se debe compactar uniformemente. En caso de rebajamiento del nivel de las aguas del foso de excavación, el material de relleno se puede compactar embarrándolo mediante la adición de agua mientras la unidad de rebajamiento esté en funcionamiento.

## ADVERTENCIA



¡No utilizar material de relleno cohesivo!

La arqueta debe llenarse con arena, barro u hormigón por fuera para garantizar la flotabilidad en el tipo de suelo arcilloso. Para evitar deformaciones de la arqueta de PE, se debe evitar un elevado nivel de llenado en un solo lado.

Una vez finalizada la arqueta, incluyendo el llenado y la compactación del foso de excavación, se debe desconectar la unidad de rebajamiento del nivel de las aguas que haya podido utilizar.

**La parte que sobresale de la sección superior se debe rellenar y compactar bien.**

Para garantizar un funcionamiento seguro de la unidad, es necesario que la arqueta siga alineada en posición horizontal después del llenado.

**Al utilizar una tapa de arqueta clase D tenga en cuenta las indicaciones de la unidad.**

## 6. PUESTA EN SERVICIO

Antes de la puesta en servicio, se deben volver a comprobar si todas las conexiones están correctamente montadas y si presentan fugas. La corredera de cierre debe estar abierta.

Para la puesta en servicio de la bomba lea el manual de instrucciones de las bombas y de la unidad de conmutación.

## 7. MANTENIMIENTO



**¡Antes de realizar cualquier trabajo en la unidad, ésta se debe desconectar de la red!**

El mantenimiento incluye una inspección visual periódica de toda la unidad. Para ello se deben observar algunos ciclos de conmutación de la bomba y se deben comprobar el funcionamiento y la estanqueidad de todos los componentes de las tuberías y válvulas. Las instrucciones de mantenimiento de las bombas se encuentran en su manual de instrucciones. Una vez realizado el mantenimiento, se puede reiniciar el indicador de intervalos de mantenimiento del sistema de mando. El mantenimiento sólo debe ser llevado a cabo por empresas especializadas y autorizadas.

## 8. AVERÍAS: CAUSAS Y SUBSANACIÓN



**¡Antes de realizar cualquier trabajo en la unidad, ésta se debe desconectar de la red!**

Lea el manual de instrucciones de las bomba(s) en caso de que se produzcan averías en ella(s). En caso de fugas en las tuberías o en caso de fallo de las válvulas, se pueden sustituir fácilmente las piezas correspondientes (Sustitución).

## 9. GARANTÍA

Como fabricante ofrecemos para este producto una garantía de 24 meses a partir de la fecha de compra.

Como justificante servirá la factura de compra. Dentro de este período de garantía reemplazaremos o sustituiremos, a nuestra discreción, todos los defectos atribuibles a defectos de material o de fabricación.

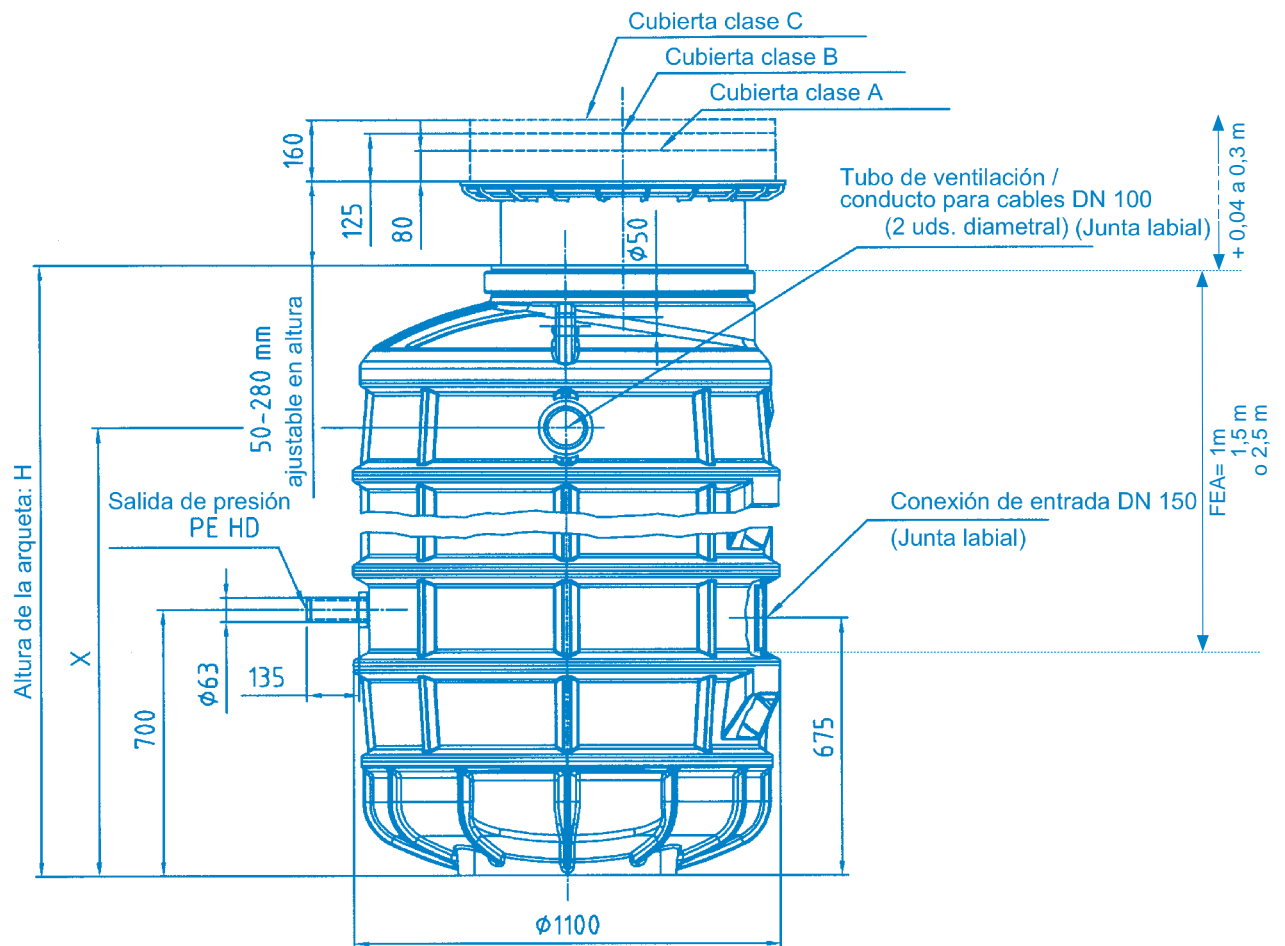
Quedan excluidos de la garantía los defectos atribuibles a un uso inadecuado y a desgaste. No asumiremos ningún daño consecuente causado por el fallo del dispositivo.

En caso de reclamación de garantía, póngase en contacto con su distribuidor.

## 10. MODIFICACIONES TÉCNICAS

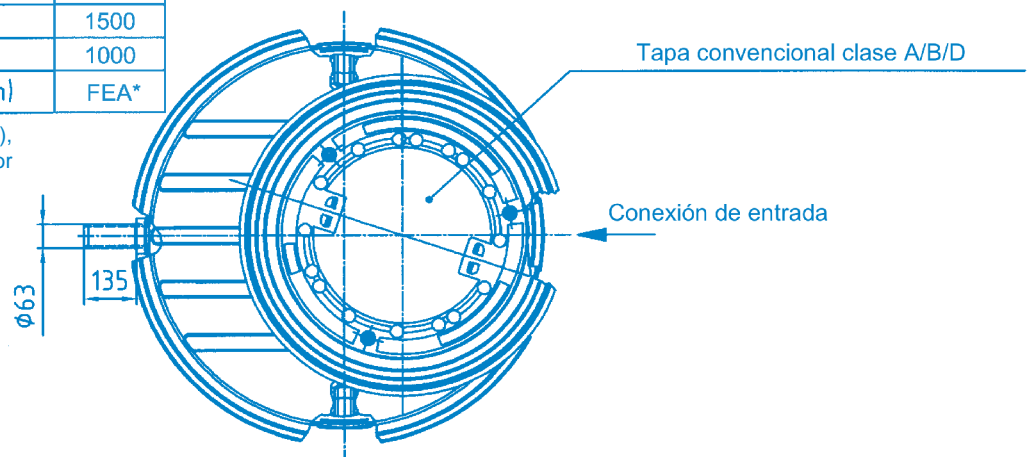
Nos reservamos el derecho de realizar modificaciones técnicas para continuar desarrollando nuestros productos.

# Anexo A : Dimensiones principales



3100	2675	2500
2100	1675	1500
1600	1175	1000
Altura de la arqueta: H	X (mm)	FEA*

\* Flujo de entrada de agua (FEA), sin sección superior

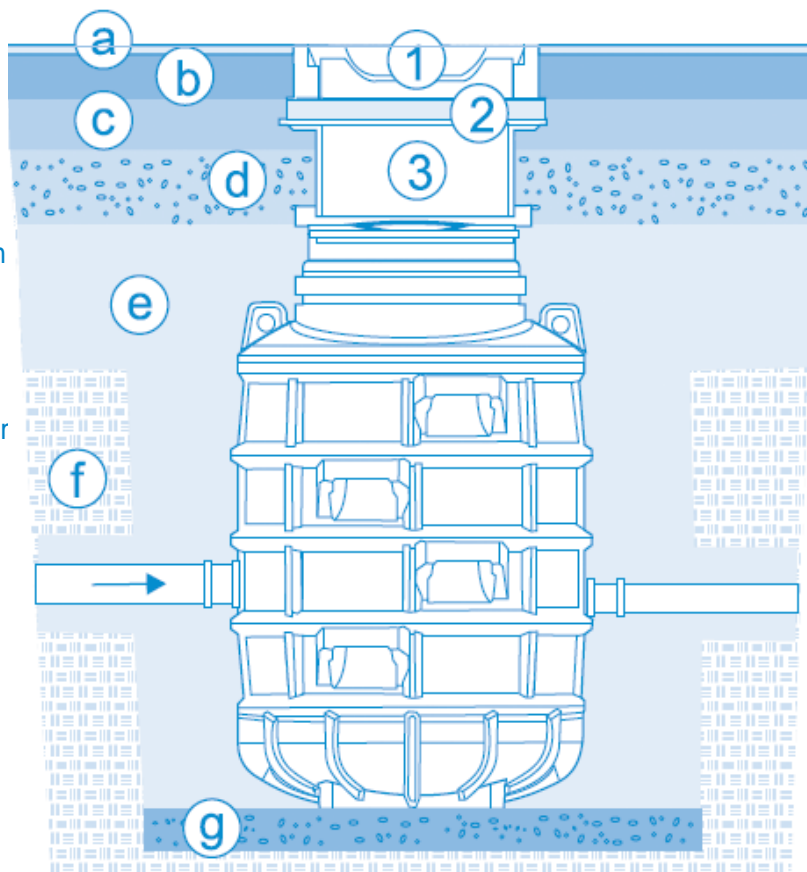


## Anexo B : Propuesta de instalación de la tapa de la arqueta clase D

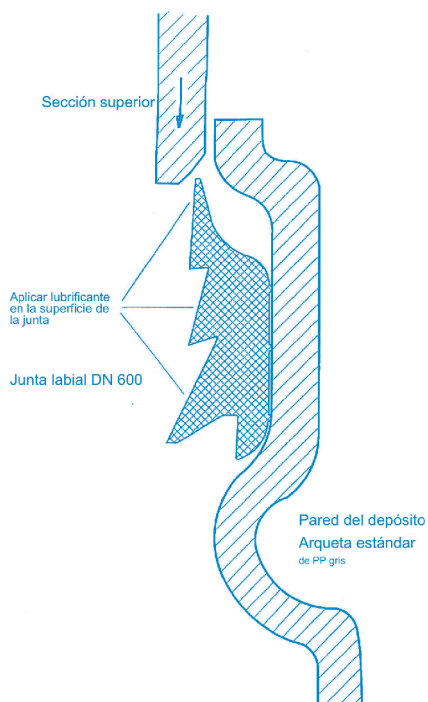
Propuesta de instalación con arreglo a la estructura estándar de carretera .

- ① Tapa BEGU convencional clase D
- ② Anillos convencionales de hormigón para compensación de altura
- ③ Sección superior de plástico ajustable en altura de 40 - max. 300 mm

- a) Capa de desgaste aprox. 3 cm
- b) Capa base bituminosa aprox. 8-12cm
- c) Capa limpie aprox. 10 cm
- d) Grava aprox. 20 cm
- e) Grava anticongelante aprox. 25-30 cr
- f) Suelo
- g) Gravilla



### Situación de la junta labial de la sección superior :



### ATENCIÓN



La instalación, el montaje, el manejo y el mantenimiento sólo deben ser llevados a cabo por una empresa especializada.

Se deben tener en cuenta las directivas y las normas en materia de seguridad .

## **1. SEGURANÇA ..... p. 70**

- 1.1 Marcação de avisos no manual de instruções .....p. 70
- 1.2 Qualificação e formação do pessoal .....p. 71
- 1.3 Perigos em caso de inobservância das instruções de segurança p. 71
- 1.4 Trabalhar de forma segura.....p. 71
- 1.5 Instruções de segurança para a operadora / o utilizador p. 71
- 1.6 Instruções de segurança para os trabalhos  
de manutenção, inspeção e montagem.....p. 72
- 1.7 Modificações não autorizadas e produção de peças sobressalentesp. 72
- 1.8 Modos de funcionamento não autorizados .....p. 72

## **2. INFORMAÇÕES GERAIS ..... p. 72**

- 2.1 Pertença .....p. 72
- 2.2 Pedidos e encomendas .....p. 72
- 2.3 Dados técnicos .....p. 72
- 2.4 Campo de aplicação .....p. 73
- 2.5 Volume de fornecimento .....p. 73

## **3. TRANSPORTE E ARMAZENAMENTO INTERMEDIÁRIO ..... p. 74**

- 3.1 Transporte .....p. 74
- 3.2 Armazenamento intermediário/conservação .....p.74

## **4. DESCRIÇÃO ..... p. 74**

- 4.1 Informações gerais.....p. 74
- 4.2 Estrutura e modo de funcionamento.....p. 74

## **5. INSTALAÇÃO ..... p. 74**

- 5.1 Fazer a vala.....p. 74
- 5.2 Colocar o poço .....p. 74
- 5.3 Ligar o poço.....p. 75
- 5.4 Encher o poço .....p. 75

## **6. COLOCAÇÃO EM FUNCIONAMENTO ..... p. 76**

## **7. MANUTENÇÃO/CONSERVAÇÃO ..... p. 77**

## **8. FALHAS, CAUSAS E RESOLUÇÃO ..... p. 77**

## **9. GARANTIA..... p. 77**

## **10. ALTERAÇÕES TÉCNICAS ..... p. 77**

Anexo A : Dimensões principais .....p. 78

Anexo B : Proposta de instalação para tampa do poço da classe D .p. 79

# 1. SEGURANÇA

## ATENÇÃO

Este aparelho pode ser utilizado por crianças com, pelo menos, 8 anos e por pessoas com capacidades físicas, sensoriais ou mentais reduzidas ou com falta de experiência ou de conhecimentos, desde que sejam corretamente vigiadas ou recebam instruções sobre a utilização do aparelho com total segurança e caso tenham compreendido os riscos associados. As crianças não devem brincar com o aparelho. A limpeza e manutenção pelo utilizador não devem ser realizadas por crianças sem supervisão.

## LIGAÇÃO ELÉTRICA:

A instalação elétrica deve ser realizada por um profissional qualificado em eletrotécnica.

O circuito de alimentação do aparelho deve ser ligado à terra (classe I) e protegido por um disjuntor diferencial de alta sensibilidade (30 mA). Os aparelhos sem fichas devem ser ligados a um interruptor principal na alimentação elétrica de modo a garantir que todos os polos são desligados (a distância de separação entre contactos deve ser no mínimo de 3 mm). A ligação deve servir exclusivamente para a alimentação do aparelho.

Em caso de danos no cabo de alimentação, este deve ser substituído pelo fabricante ou pelo serviço técnico para evitar situações de risco.

Este manual de instruções contém informações básicas que devem ser observadas durante a instalação, operação e manutenção. Por este motivo, este manual de instruções deve ser lido pelo instalador e pelo pessoal técnico/operador responsável antes da instalação e colocação em funcionamento e deve estar sempre disponíveis no local de instalação da máquina/sistema.

Não apenas as instruções gerais de segurança listadas neste ponto principal Segurança devem ser observadas, mas também as instruções especiais de segurança inseridas em outros pontos principais, por exemplo, para uso privado.

### 1.1 Marcação de avisos no manual de instruções



#### Perigo

Este termo define um perigo com riscos elevados que podem conduzir à morte ou a ferimentos graves, caso não seja evitado.



#### Aviso

Este termo define um perigo com riscos para a máquina e o seu funcionamento, caso não seja levado em consideração.



#### Zona de perigo

Este símbolo caracteriza, em combinação com uma palavra-chave, perigos que podem conduzir à morte ou a ferimentos.



### **Alimentação eléctrica perigosa**

Este símbolo caracteriza, em combinação com uma palavra-chave, perigos inerentes à alimentação eléctrica e dá informações sobre a protecção contra a alimentação eléctrica.

**ATENÇÃO**



### **Danos materiais**

Este símbolo identifica perigos, em combinação com a palavra chave **ATENÇÃO**, para a máquina.

Instruções fixadas diretamente na máquina como, por exemplo sentido da seta de rotação, marcação das ligações de líquido, devem ser observadas e mantidas num estado totalmente legível.

## **1.2 Qualificação e formação do pessoal**

O pessoal para a operação, manutenção, inspeção e montagem deve ter as qualificações adequadas para este trabalho. A área+ de responsabilidade, responsabilidade e monitorização do pessoal deve ser regulada com precisão pela operadora. Se o pessoal não possuir os conhecimentos necessários, este deve ser formado e instruído. Se necessário, isto pode ser feito pelo fabricante/fornecedor em nome da operadora da máquina. Além disso, a operadora deve certificar-se de que o conteúdo do manual de instruções é totalmente compreendido pelo pessoal.

## **1.3 Perigos em caso de inobservância das instruções de segurança**

A inobservância das instruções de segurança pode pôr em perigo as pessoas, o meio ambiente e a máquina. A inobservância das instruções de segurança pode levar à perda de eventuais pedidos de indemnização.

A inobservância pode causar, por exemplo, os seguintes perigos:

- Falha de funções importantes da máquina/sistema
- Falha dos métodos prescritos para a manutenção e conservação
- Perigo para pessoas devido a influências eléctricas, mecânicas e químicas
- Perigo para o meio ambiente devido a fugas de substâncias perigosas.

## **1.4 Trabalhar de forma segura**

As instruções de segurança contidas neste manual de instruções, os regulamentos nacionais de prevenção de acidentes existentes e quaisquer instruções internas de trabalho, operação e manutenção devem ser observadas.

## **1.5 Instruções de segurança para a operadora / o utilizador**

- Se as peças quentes ou frias da máquina representarem perigo, estas peças devem ser protegidas contra contacto por parte do cliente.
- A protecção contra o contacto com peças móveis (p. ex., acoplamento) não pode ser removida com a máquina em funcionamento.
- As fugas (p. ex., do vedante de eixo) de substâncias perigosas (p. ex., explosivas, tóxicas, quentes) devem ser removidas de modo a não representarem perigo para as pessoas ou para o meio ambiente. Os regulamentos legais devem ser respeitados.
- Os perigos da energia eléctrica devem ser excluídos (para mais detalhes, consulte, por exemplo, os regulamentos da VDE e as empresas locais de fornecimento de energia).

## 1.6 Instruções de segurança para os trabalhos de manutenção, inspeção e montagem

A operadora deve garantir que todos os trabalhos de manutenção, inspeção e instalação sejam realizados por pessoal técnico autorizado e qualificado, que tenha estudado cuidadosamente o manual de instruções e obtido informações suficientes.

Em princípio, os trabalhos na máquina só devem ser realizados com a máquina parada. O procedimento descrito no manual de instruções para parar a máquina deve ser rigorosamente respeitado.

As bombas ou unidades de bomba que transportam meios nocivos à saúde devem ser descontaminadas. Imediatamente após a conclusão dos trabalhos, todos os dispositivos de segurança e de proteção devem ser montados de novo ou postos em funcionamento.

Antes da (re)colocação em funcionamento, devem ser observados os pontos listados na secção de colocação em funcionamento.

## 1.7 Modificações não autorizadas e produção de peças sobressalentes

A máquina só pode ser transformada ou modificada após consulta ao fabricante. As peças sobressalentes e acessórios originais autorizados pelo fabricante servem para fins de segurança. A utilização de outras peças pode anular a responsabilidade pelas consequências daí resultantes.

## 1.8 Modos de funcionamento não autorizados

A segurança operacional da máquina fornecida só é garantida se esta for utilizada de acordo com o previsto no capítulo 2 - *Informações gerais* do manual de instruções. Os valores-limite especificados na folha de dados não podem, em caso algum, ser ultrapassados.

# 2. INFORMAÇÕES GERAIS

## 2.1 Pertença

Este manual de instruções é válido para a estação de bombagem completa **SANIFOS®**.

**A inobservância do manual de instruções - em particular das instruções de segurança -, assim como a modificação não autorizada do aparelho ou a instalação de peças sobressalentes não originais anula automaticamente a garantia. O fabricante não se responsabiliza por quaisquer danos daí resultantes!**

## Tamanhos:

SANIFOS® componentes de poço para máquinas individuais ou máquinas duplas. Podem ser utilizadas bombas com uma saída de pressão de 2" e uma potência até aprox. 4 kW.

## 2.2 Pedidos e encomendas

Por favor, encaminhe os seus pedidos e as suas encomendas para o seu revendedor especializado.

## 2.3 Dados técnicos

<b>Largura livre</b>	1000 mm
<b>Diâmetro externo aprox.</b>	1100 mm



## Alturas do poço:

	Altura do corpo básico	Altura com peça de encaixe e cobertura BEGU Classe A	Altura com peça de encaixe e cobertura BEGU Classe B	Altura com peça de encaixe e cobertura BEGU Classe D
H2	1600	1730-1960	1775-2005	1810-2040
H3	2100	2230-2460	2275-2505	2310-2540
H5	3100	3230-3460	3275-3505	3310-3540

## Características

Abertura da cobertura do poço	Ø 625 mm
Peso	60 à 90 kg (sem componentes)
Entrada	apropriado para PVC DN 150
Profundidade da entrada	675 mm (meio do tubo) do fundo do poço
Ligação de pressão	PE HD DN 50 Øext.= 63 mm
Profundidade da ligação de pressão	675 mm (meio do tubo) do fundo do poço
Espaço de arrumação	aprox. 400 l
Volume de comutação	no mínimo 150 l
Ventilação/tubo do cabo	2 x PVC DN 100
Profundidade da ligação	1175 mm (meio do tubo) do fundo do poço
Temperatura máxima do meio	60 °C

**O poço é seguro contra flutuabilidade até um nível de água subterrânea de 1,2 m da borda inferior do poço!**

## Materiais

<b>Poço</b>	PE
<b>Sistema de acoplamento</b>	Hierro fundido GG 20
<b>Válvula de bloqueio</b>	Latón
<b>Tubo de pressão</b>	PE
<b>Válvula de retenção</b>	GG 25

## 2.4 Campo de aplicação

As estações de bombagem da série SANIFOS® são utilizadas para a eliminação (recolha e transporte) de águas residuais e esgotos domésticos e industriais que se acumulam abaixo do nível dos esgotos. Elas são aplicadas fora dos edifícios.

## 2.5 Volume de fornecimento

A estação de bombagem completa SANIFOS® é fornecida completa com:

- sistema de acoplamento sem parafusos
- válvula de bloqueio DN 50
- válvula de retenção DN 50
- tubo de pressão completo com uniões roscadas
- ligação de lavagem preparada, fechada com bujão cego
- bomba(s) submersível(eis)\* DN 50 (ver manual de instruções em separado)
- controlo do nível de enchimento pneumático/flutuador\* (ver manual de instruções em separado)
- peça de encaixe variável com anel de vedação
- cobertura de poço BEGU\* da classe A, B ou D.

\* disponível como opção

## **3. TRANSPORTE E ARMAZENAMENTO INTERMEDIÁRIO**

### **3.1 Transporte**

As estações de bombagem completas da série SANIFOS® não devem ser lançadas nem deixadas cair. Elas também devem ser transportados verticalmente (excepto SANIFOS® 3100).

### **3.2 Armazenamento intermediário/conservação**

Para o armazenamento intermediário e conservação, é suficiente armazenar o produto num local fresco, escuro, seco e à prova de geada. O sistema deve encontrar-se em posição vertical.

## **4. DESCRIÇÃO**

### **4.1 Informações gerais**

A estação de bombagem está completamente montada, de modo que apenas a bomba tem de ser ligada e as ligações (entrada, tubo de pressão, tubo de ventilação, controlo de nível e alimentação elétrica) têm de ser feitas.

### **4.2 Estrutura e modo de funcionamento**

Um sistema de acoplamento está montado no fundo do poço no qual a bomba é engatada sem parafusos. Um tubo guia fixado no gargalo do poço numa travessa é fornecido para guiar a bomba quando ela estiver suspensa. A bomba pode ser completamente levantada do poço com a ajuda de uma correia montada, sem desapertar previamente as uniões roscadas no poço. Dependendo do tamanho da bomba, um aparelho de elevação pode ser necessária para levá-la para fora. Após um longo período de funcionamento, a bomba pode ficar presa ao pé de acoplamento. Para liberar a bomba, aperte ligeiramente a correia e balance a correia até que a bomba se libere do pé de acoplamento. Puxe depois ligeiramente a bomba para fora. Forças de tração excessivas na correia devem ser evitadas para evitar danos no poço de plástico. Isso permite a realização de trabalhos de manutenção ou reparação na bomba fora do poço. Para evitar que a coluna de água no tubo de pressão reflua durante os trabalhos de manutenção ou reparação na válvula de retenção, uma válvula de bloqueio é montada no tubo de pressão antes da válvula de retenção.

## **5. INSTALAÇÃO**

### **5.1 Fazer a vala**

A vala deve ser construída de acordo com os regulamentos da associação profissional (ângulo de inclinação, possível escoramento, etc.)

### **5.2 Colocar o poço**

Antes da colocação do poço, a vala deve ser preenchida com cerca de 30 cm de cascalho e 5 cm de lascas e compactado de modo a criar uma superfície de apoio horizontal. O poço PE deve então ser inserido na vala e ser alinhado. Encha, agora, aprox. 30 cm de areia de enchimento e compacte.



## AVISO



**Verifique se o poço ainda está em equilíbrio.**

### 5.3 Ligar o poço

#### Entrada

O poço está equipado com uma manga de entrada DN 150 com anel de vedação. Na manga de entrada é inserido o tubo de entrada (tubo DN 150) aprox. 1 cm. Antes disso, deve aplicar lubrificante ou massa lubrificante no interior do vedante. O desvio máximo em relação ao eixo da entrada não deve exceder 3°. Outras entradas são possíveis como opção.

#### Tubo de pressão

O tubo de pressão termina aprox. 180 mm fora do poço com uma luva PE HD 63x5,8.

O tubo PE HD 63x5,8 deve ser utilizado como tubo de pressão. A ligação às luvas existentes no poço pode ser feita, por exemplo, através de acessórios de compressão disponíveis no mercado.

#### Ventilação/encaminhamento do cabo

Estão disponíveis 2 mangas com anel de vedação DN 100 para a ventilação/encaminhamento do cabo. O tubo de ventilação (tubo DN 100) é inserido na manga (ver entrada). Para evitar odores desagradáveis, recomendamos que passe o tubo de ventilação pelo telhado. O tubo de cabos (tubo DN 100) é inserido na outra manga e conduzido para o aparelho de comutação. O tubo deve ser fechado na saída do quadro de comando ou do edifício (p. ex., através de uma tampa cega com prensa-cabos). Se não for necessária uma ligação de tubos, esta deve ser fechada com uma tampa cega disponível no mercado.

#### Ligação elétrica

O cabo da bomba e a mangueira pneumática/cabos flutuador são encaminhados no tubo do cabo para o aparelho de comutação.

O manual de instruções da bomba e o diagrama elétrico do comando da bomba são válidos para a ligação elétrica.

## ATENÇÃO



**O ponto de desativação e o tempo de retardamento devem ser definidos de modo a que o processo de bombagem seja concluído antes de a caixa da bomba emergir e que o tubo de pitot já esteja completamente emergido. A mangueira pneumática deve ser conduzida continuamente para cima e sem laços para o aparelho de comutação. O comprimento máximo não deve exceder 20 m.**

### 5.4 Encher a vala

Antes de encher a vala, o anel de vedação da peça de fixação deve ser introduzida no poço e a peça de fixação deve ser introduzida e adaptada à altura do solo com a cobertura do poço BEGU.

## ATENÇÃO



Observe que o teste de pressão do tubo de pressão não deve ser executada contra a válvula de correção fechada no poço da bomba. Uma vez que todos os tubos tenham sido ligados e verificados quanto a fugas, a vala pode ser enchida.

A areia de enchimento ou areia de cascalho deve ser utilizada para encher a vala de acordo com os regulamentos.



## AVISO



Utilize areia de cascalho apenas até uma granulometria de 32 mm se o pavimento de escavação não corresponder ao grupo de granulação 0 - máx. 32 mm.  
Não utilizar solo aderente, betonilha, rocha ou grãos afiados!

O material de enchimento deve ser aplicado em espessuras de até 30 cm e compactado uniformemente. No caso de um rebaixamento de águas subterrâneas da vala, o material de enchimento pode ser compactado pela adição de água e operação simultânea do sistema de rebaixamento.



## AVISO



Utilizar material de enchimento não coeso!

O poço deve ser enchido com areia, argila ou concreto do lado de fora para garantir a segurança de flutuabilidade no tipo de solo Klei. A fim de evitar a deformação do poço de PE, é essencial evitar o alto enchimento em apenas um lado.

Só depois da conclusão final do poço, incluindo o enchimento e compactação da vala, é que o sistema de rebaixamento da água subterrânea, se utilizado, pode ser desligado.

**A fixação saliente da peça de fixação deve ser bem enchida e compactada.**

Para garantir um funcionamento seguro do sistema, é necessário que, depois do enchimento, o poço ainda esteja alinhado na posição horizontal.

**Ao utilizar uma cobertura do poço da classe D, é imperativo que observe as instruções no sistema .**

## 6. COLOCAÇÃO EM FUNCIONAMENTO

Antes da colocação em funcionamento, todas as ligações devem ser novamente verificadas quanto à montagem correta e estanqueidade; a válvula de bloqueio deve estar aberta.

Para colocar a bomba em funcionamento, leia o manual de instruções separado das bombas e o aparelho de comutação.

## 7. MANUTENÇÃO/CONSERVAÇÃO



**PERIGO**



**Separe o sistema da rede elétrica antes de realizar qualquer trabalho nele!**

A manutenção inclui uma inspeção visual regular de todo o sistema. No processo, são observados vários ciclos de comutação da bomba e todas as peças e acessórios da tubagem são verificados quanto ao seu funcionamento e estanqueidade. As instruções de manutenção das bombas encontram-se no manual de instruções das bombas. A apresentação do intervalo de manutenção do sistema de comando pode ser reposta após a manutenção ter sido realizada. A manutenção só deve ser realizada por empresas especializadas autorizadas.

## 8. FALHAS, CAUSAS E RESOLUÇÃO



**PERIGO**



**Separe o sistema da rede elétrica antes de realizar qualquer trabalho nele!**

Se a(s) bomba(s) apresentar(em) avarias, leia o respetivo manual de instruções. Em caso de fugas nas tubagens ou falha das válvulas, as peças correspondentes podem ser simplesmente substituídas (substituição).

## 9. GARANTIA

Como fabricante, garantimos este produto por 24 meses a partir da data de compra. O seu recibo é considerado como prova.

Dentro deste período de garantia, nós reparamos ou substituímos gratuitamente, por opção nossa, todos os defeitos atribuíveis a defeitos de material ou de fabrico, através de reparação ou substituição.

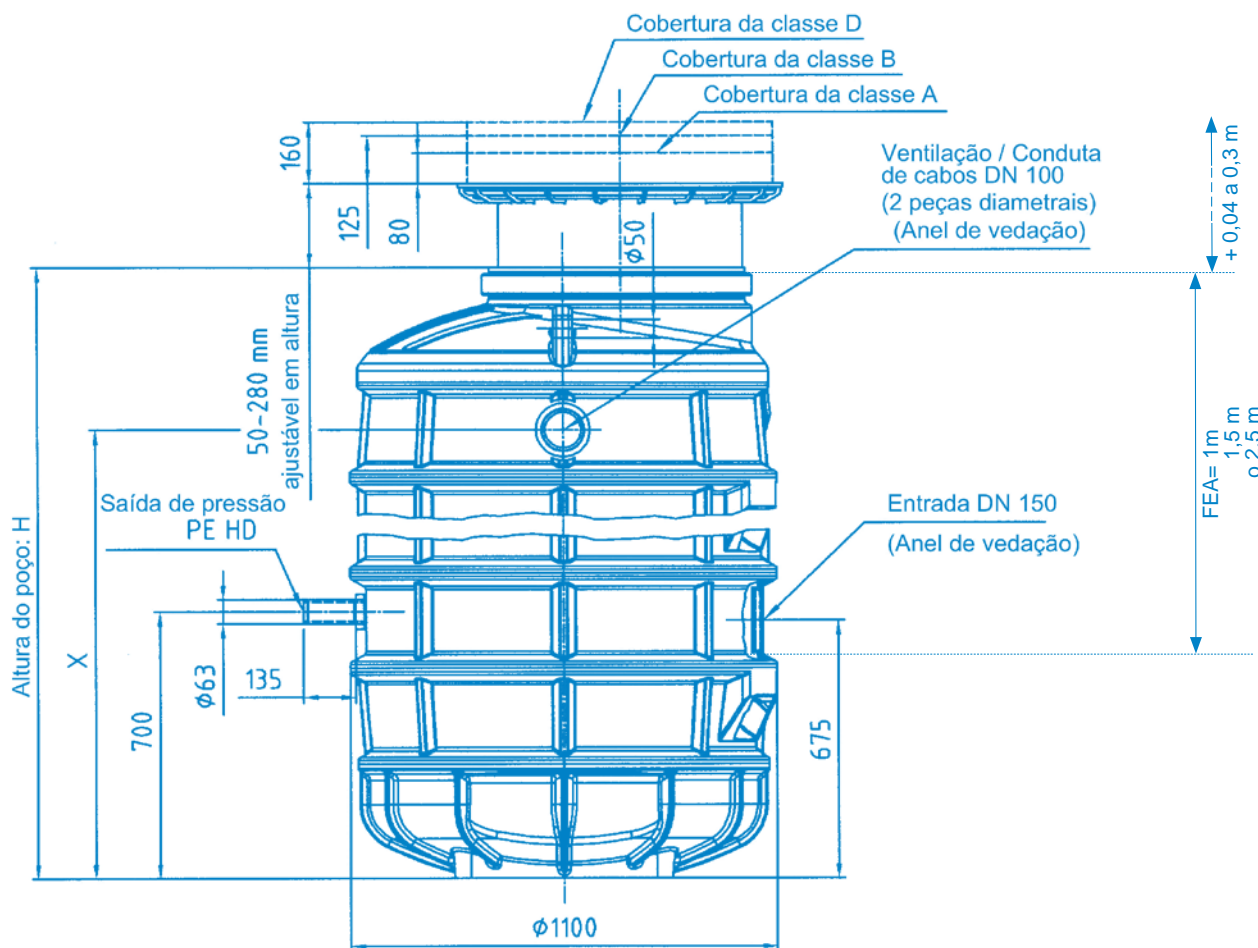
Estão excluídos da garantia os danos causados por uso inadequado e desgaste. Não assumiremos quaisquer danos consequenciais causados por falha do aparelho.

Em caso de reclamação de garantia, contacte o seu revendedor especializado.

## 10. ALTERAÇÕES TÉCNICAS

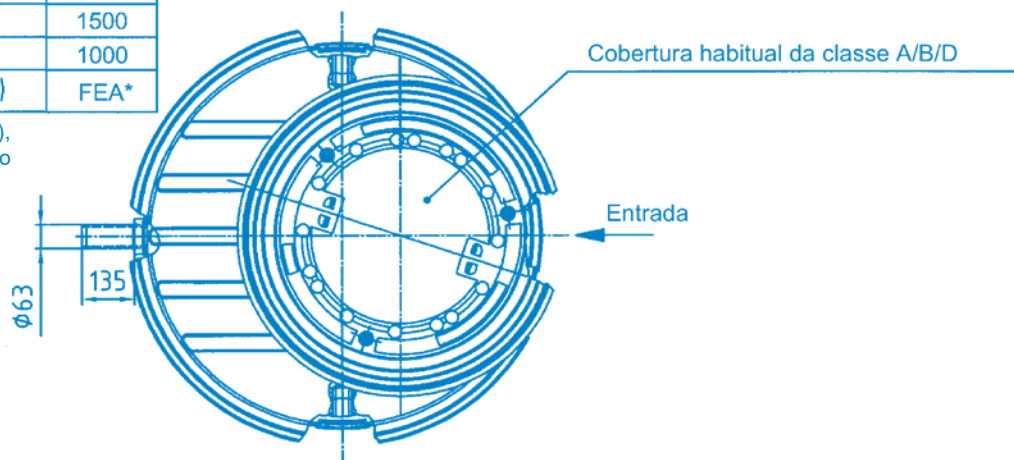
Nós nos reservamos o direito de fazer alterações técnicas para fins de desenvolvimento futuro.

# Anexo A : Dimensões principais



3100	2675	2500
2100	1675	1500
1600	1175	1000
Altura do poço: H	X (mm)	FEA*

\* Fluxo de entrada de água (FEA), sem peça de fixação

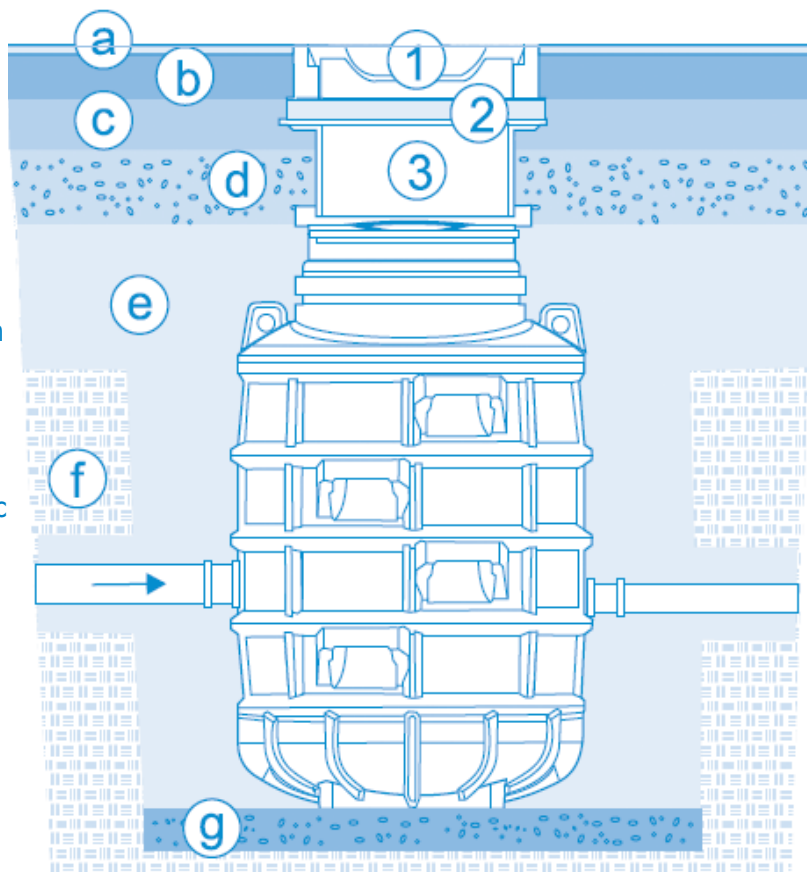


## Anexo B : Proposta de instalação para tampa do poço da classe D

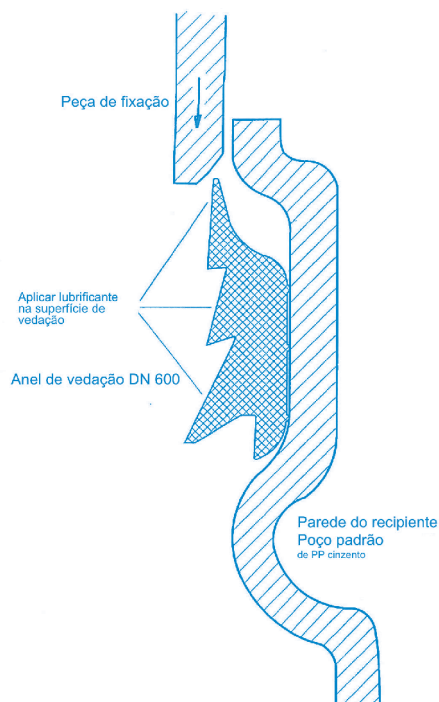
Sugestão de instalação de acordo com a construção padrão de estradas.

- ① Cobertura BEGU comercial da classe D
- ② Anéis de concreto disponíveis comercialmente para compensação de altura
- ③ Peça de fixação de plástico, ajustável em altura de 40 - max. 300 mm

- a Camada de desgaste aprox. 3 cm
- b Camada de base betuminosa aprox. 8-12cm
- c Capa limpa aprox. 10 cm
- d Cascalho aprox. 20 cm
- e Cascalho anticongelante aprox. 25-30 c
- f Solo
- g Gravilha



### Posição do anel de vedação para a peça de fixação :



### ATENÇÃO



A instalação, montagem, operação e manutenção só podem ser realizadas por uma empresa especializada. Diretivas e regras de segurança devem ser observadas.

**FRANCE****SOCIÉTÉ FRANÇAISE  
D'ASSAINISSEMENT**

41 Bis, Avenue Bosquet - 75007 Paris  
Tél. + 33 1 44 82 39 00

**UNITED KINGDOM****SANIFLO Ltd.,**

Howard House, The Runway  
South Ruislip Middx.,  
HA4 6SE  
Tel. +44 208 842 0033  
Fax +44 208 842 1671

**IRELAND****SANIRISH Ltd**

IDA Industrial Estate  
Edenderry - County Offaly  
Tel. + 353 46 9733 102  
Fax + 353 46 97 33 093

**AUSTRALIA****Saniflo (Australasia) Pty Ltd**

Unit 9-10, 25 Gibbes Street  
Chatswood  
NSW 2067  
Tel. +61 298 826 200  
Fax +61 298 826 950

**DEUTSCHLAND****SFA SANIBROY GmbH**

Waldstr. 23 Geb. B5  
63128 Dietzenbach  
Tel. (060 74) 30928-0  
Fax (060 74) 30928-90

**ITALIA****SFA ITALIA spa**

Via del Benessere, 9  
27010 Siziano (PV)  
Tel. 03 82 61 81  
Fax 03 82 61 8200

**KOREA**

www.sfa.biz  
sales@saniflo-korea.kr

**ESPAÑA****SFA SI**

C/ del Sant Crist, 21  
P.I. Pla d'En Boet  
08302 Mataró - Barcelona  
Tel. +34 93 544 60 76  
Fax +34 93 462 18 96

**PORTUGAL****SFA, Lda.**

Sintra Business Park, ed. 01-1ºP2710-089  
SINTRA  
Tel. +35 21 911 27 85  
Fax. +35 21 957 70 00

**SUISSE SCHWEIZ SVIZZERA****SFA SANIBROY AG**

Vorstadt 4  
3380 Wangen a.A  
Tel: +41 (0)32 631 04 74  
Fax: +41 (0)32 631 04 75

**BENELUX****SFA BENELUX B.V.**

Industrieweg 1c-d  
6101 WS Echt (NL)  
Tel. +31 475 487100  
Fax +31 475 486515

**SVERIGE****SANIFLO AB**

BOX 797  
S-191 27 Sollentuna  
Tel. +08-404 15 30  
info@saniflo.se

**POLSKA****SFA POLAND Sp. z O.O.**

ul. Białołęcka 168  
03-253 Warszawa  
Tel. (+4822) 732 00 32  
Fax (+4822) 751 35 16

**РОССИЯ****ООО «СФА Рус»**

101000  
Россия, Москва Колпачный переулок 9А  
Тел. (495) 258 29 51  
факс (495) 258 29 51

**ČESKÁ REPUBLIKA**

SFA-SANIBROY, spol. s r.o  
Sokolovská 445/212, 180 00 Praha 8  
Tel : +420 266 712 855  
Fax : +420 266 712 856

**ROMANIA****SFA SANIFLO S.R.L.**

145B Foisorului Street District 3  
31177 BUCURESTI  
Tel. +40 787 634 557  
info@saniflo.ro

**TÜRKIYE****SFA SANIHYDRO LTD ŞTİ**

Mecidiye Cad No:36-B Sevencan Apt.  
34394 MECIDIYEKOY - ISTANBUL  
Tel : +90 212 275 30 88

**CHINA****SFA 中国**

上海市静安区石门二路333弄3号振安广  
场恒安大厦27C室 (200041)  
Tel. +86(0)21 6218 8969  
Fax +86(0)21 6218 8970

**BRAZIL****SFA Brasil Equipamentos Sanitários**

Rua Maria Figueiredo 595,  
CEP : 04002-003 São Paulo, SP  
Tel : (11) 3052-2292  
sanitrit@sanitrit.com.br  
www.sanitrit.com.br

**SOUTH AFRICA****Saniflo Africa (PTY) Ltd**

Unit A6 , Spearhead Business Park  
Cnr. Freedom Way & Montague Drive  
Montague Gardens, 7441  
Tél : +27 (0) 21 286 00 28  
info@saniflo.co.za  
www.saniflo.co.za

**NEW ZEALAND****Saniflo New Zealand Ltd**

PO Box 383 Royal Oak,  
Auckland 1345  
Tel : 09 390 4615  
Fax : +61 2 9882 6950

**SERVICE HELPLINES****France**

Tel. 01 44 82 25 55  
Fax. 03 44 94 46 19

**United Kingdom**

Tel. 08457 650011  
(Call from a land line)  
Fax. 020 8842 1671

**Ireland**

Tel. 1850 23 24 25  
(LOW CALL)  
Fax. + 353 46 97 33 093

**Australia**

Tel. +1300 554 779  
Fax. +61.2.9882.6950

**Deutschland**

Tel. 0800 82 27 82 0  
Fax. (060 74) 30928-90

**Italia**

Tel. 0382 6181  
Fax. +39 0382 618200

**España**

Tel. +34 93 544 60 76  
Fax. +34 93 462 18 96

**Portugal**

Tel. +35 21 911 27 85  
Fax. +35 21 957 70 00

**Suisse Schweiz Svizzera**

Tel. +41 (0)32 631 04 74  
Fax. +41 (0)32 631 04 75

**Benelux**

Tel. +31 475 487100  
Fax. +31 475 486515

**Sverige**

Tel. +08-404 15 30

**Norge**

Tel. +08-404 15 30

**Polska**

Tel. (+4822) 732 00 33  
Fax. (+4822) 751 35 16

**РОССИЯ**

Tel. (495) 258 29 51  
Fax. (495) 258 29 51

**Česká Republika**

Tel. +420 266 712 855  
Fax. +420 266 712 856

**România**

Tel. +40 724 364 543  
service@saniflo.ro

**Türkiye**

Tel. +90 212 275 30 88

**Brazil**

Tel. (11) 3052-2292

**中国**

Tel. +86(0)21 6218 8969  
Fax. +86(0)21 6218 8970

**South Africa**

Tel. +27 (0) 21 286 00 28